

Jinbo Marine

Marine & Offshore Equipment Datasheet

PRODUCT DATASHEET

MARINE WINDOW

Marine Copper Porthole with Storm Cover

ISO9001 Supplier

Class Certificate

Export Supply

Marine Copper Porthole with Storm Cover: Standard: GB/T14413-93 It is also be called as side scuttle, the material can be aluminum, copper or steel, is used for sea-going ships and warships, also can be...



Key Highlights

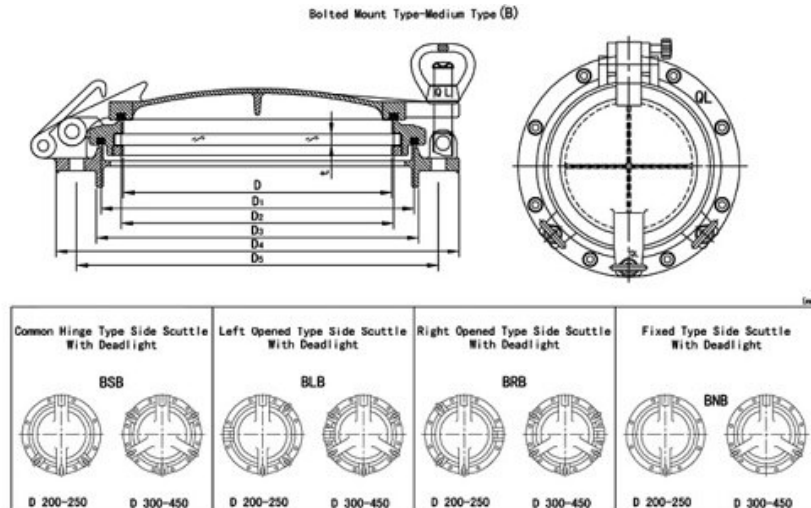
Category	Marine Window
Standard	GB
Material	Copper
Weight / Size	Name Type Clear Size (D) Opening Type Mounting Type Material code number...
Certificate	CCS, BV, ABS, GL, LR, DNV, NK,RINA, KR,IRS

We can supply according to your requirement, drawings, class certificate needs, and delivery schedule.



Technical Specifications			
Category	Marine Window	Model / SKU	Marine-Copper-Porthole-with-Storm-Cover
Standard	GB	Material	Copper
Weight / Size	Name Type Clear Size (D) Opening Type Mounting Type Material code number Opening and fastening type of deadlight Glass ApplicationPlace Opening Non-opening Bolted Welded Heavy A 200 Left opening type, right opening type, common hinge type Fixed type Bolted or welded 112 212 or 222 Hook (G) or Pawl (J) Transparent or Frosted The spaces below bulkhead deck or freeboard of marine ships, which are allowed to cut openings on the sides and required to be watertight and gastight 250 300 350 400 Medium B 200 112 or 222 or 333 212 or 222 or 233 The sides above bulkhead deck or free board deck of passenger ships, or the ends o superstructures.	Certificate	CCS, BV, ABS, GL, LR, DNV, NK,RINA, KR,IRS
Warranty	12 Months unless specified otherwise	Origin	China

CONTENTS	
■ Marine Copper Porthole with Storm Cover:	■ 1. List for model of porthole and the principal characteristics of scope:
■ 2.Opening and Fastening models of Storm Cover:	■ 3.Main Size List(mm):



Marine Copper Porthole with Storm Cover:

Standard: GB/T14413-93

It is also be called as side scuttle, the material can be aluminum, copper or steel, is used for sea-going ships and warships, also can be used for inland ship.

The side scuttle can be with or without storm cover, the storm cover also be called as deadlight.

1. List for model of porthole and the principal characteristics of scope:

Name	Type	Clear Size (D)	Opening Type		Mounting Type	Material code number		Opening and fastening type of deadlight	Glasses	ApplicationPlace
			Opening	Non-opening		Bolted	Welded			
Heavy	A	200	Left opening type, right opening type, common hinge type	Fixed type	Bolted or welded	112	212	Hook (G) or Pawl (J)	Transparent or Frosted	The spaces below bulkhead deck or freeboard of marine ships, which are allowed to cut openings on the sides and required to be watertight and gastight
		250					or			
		300					222			
		350								
		400								
Medium	B	200				112	212		The sides above bulkhead deck or free board deck of passenger ships, or the ends o superstructures. Both sides and ends of the first tier of superstructure on the freeboard deck of ships other than passenger ship.	
		250				or				
		300				222				
		350				or				
		400				233				
		450				233				
Light	C	200	Opening			220	210	Nothing	The sides and rear-ends of first tier of superstructure above bulkhead deck or freeboard deck of passenger ships or all tiers above the first tier of superstructure. The sides and rear-ends of all tiers above the first tier of superstructure on free board deck of ships other than passenger ships.	
						330	220			
						or	or			
						110	230			

2. Opening and Fastening models of Storm Cover:

Clear Size (D)	200	250	300	350	400	450	
minimum distance of side scuttle centre to ceiling	Paw (J)	300	350	400	450	540	580
	Hook (G)	selected by user					

3. Main Size List(mm):

Model	D	D1	D2	D3	D4	D5	h	t	a	No of fasteners		Bolts for installation		Wall Cut Out Size	
										Storm Cover	Glass Holder	Thread	Quantity		
A	LB, RB, SB, NB	200	245	204	250	350	310	155	8	45°	2	3	M12	8	253
		250	295	254	305	400	363	182	8	48°	2	3	M16	8	308
		300	350	304	360	450	414	207	1	31°	3	3	M16	12	363
		350	400	354	410	500	464	232	1	31°	3	3	M16	12	413
		400	450	404	460	550	514	257	1	31°	3	3	M18	12	463

Model	D	D1	D2	D3	D4	D5	h	t	a	No of fasteners		Bolts for installation		Wall Cut Out Size	
										Storm Cover	Glass Holder	Thread	Quantity		
B	LB, RB, SB, NB	200	245	204	250	350	310	155	8	45°	2	3	M12	8	253
		250	295	254	305	400	363	182	8	48°	2	3	M16	8	308
		300	350	304	360	450	414	207	1	31°	3	3	M16	12	363
		350	400	354	410	500	464	232	1	31°	3	3	M16	12	413
		400	450	404	460	550	514	257	1	31°	3	3	M18	12	463
		450	500	454	510	600	564	282	1	31°	3	4	M20	12	523