

## JIS MARINE CHECK VALVE

## Marine Ductile Iron 16K Globe Check Valve JIS F7323C

ISO9001 Supplier

Class Certificate

Export Supply

Marine Ductile Iron Globe Check Valve JIS F7323C is made of ductile iron to replace the expensive bronze SDNR valve in some small size pipe system. Technical Specification: Design Standard: JIS F7323C ...



### Key Highlights

Category	JIS Marine Check Valve
Standard	JIS
Material	Nodular Iron/Ductile Iron
Weight / Size	Marine Ductile Iron Globe Check Valve JIS F7323C is made of ductile iron...
Certificate	ABS, LR, BV, DNVGL, NK, KR, IRS, RMRS, CCS

We can supply according to your requirement, drawings, class certificate needs, and delivery schedule.

### Technical Specifications

Category	JIS Marine Check Valve	Model / SKU	Marine-Ductile-Iron-16K-Globe-Check-Valve-JIS-F7323C
Standard	JIS	Material	Nodular Iron/Ductile Iron
Weight / Size	Marine Ductile Iron Globe Check Valve JIS F7323C is made of ductile iron to replace the expensive bronze SDNR valve in some small size pipe system.	Certificate	ABS, LR, BV, DNVGL, NK, KR, IRS, RMRS, CCS
Warranty	12 Months unless specified otherwise	Origin	China

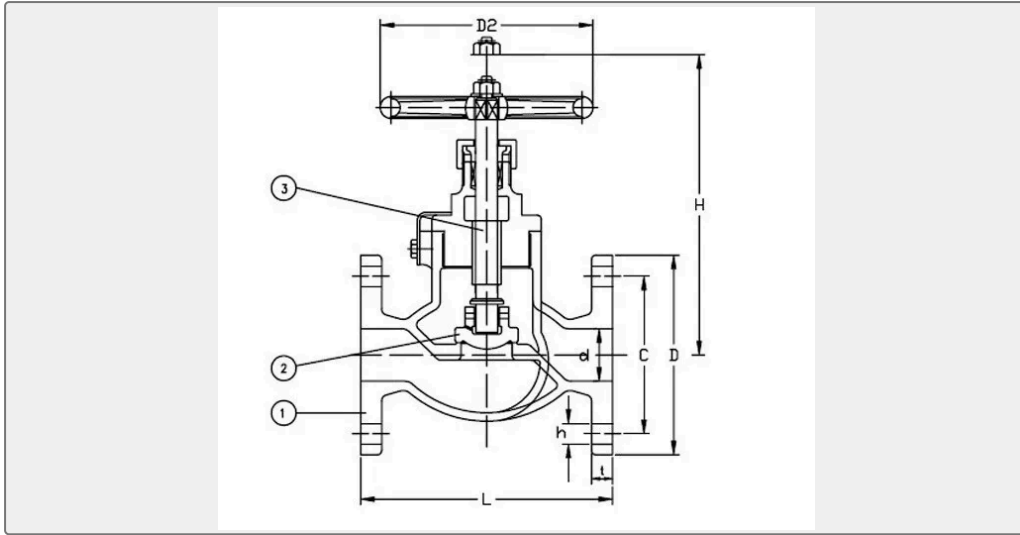
#### CONTENTS

- China Marine Ductile Iron 16K Globe Check Valve JIS F7323C:
- Material:
- Technical Specification:
- Main Size(mm):



0.079458s

## China Marine Ductile Iron 16K Globe Check Valve JIS F7323C:



Marine Ductile Iron Globe Check Valve JIS F7323C is made of ductile iron to replace the expensive bronze SDNR valve in some small size pipe system.

### Technical Specification:

Design Standard: JIS F7323C

Test Standard: JIS 7400-1996

Hydraulic Test Pressure: Body-3.3Mpa, Seat-2.42Mpa

Flange size as per JIS B2220 -10K/16K

### Material:

1. Body/Bonnet-Ductile Iron FCD450
2. Seat-SUS (SCS2) /Bronze (BC6)
3. Stem-SUS (SCS2) /Brass (C3771BD)

### Main Size(mm):

SIZE	L	D	C	Hole	Weight
DN15	110	95	70	4 x D15	2.91
DN20	120	100	75	4 x D15	3.85
DN25	130	125	90	4 x D19	5.57
DN32	160	135	100	4 x D19	7.40
DN40	180	140	105	4 x D19	9.29