

# Jinbo Marine

Marine &amp; Offshore Equipment Datasheet

PRODUCT DATASHEET

## CB MARINE PRESSURE REDUCING VALVE

# Marine Flanged Air Pressure Reducing Valve HDMV21

ISO9001 Supplier

Class Certificate

Export Supply

Marine Air Pressure Reducing Valve is used for marine compressed air pipe system. It can keep outlet pressure stable. Technical Specification: Standard:CB/T3656-94 for reference. Nominal Size: DN15~DN15...



### Key Highlights

Category	CB Marine Pressure Reducing Valve
Standard	JIS
Material	Bronze, Cast Steel, Cast Iron
Weight / Size	Nominal Size:
Certificate	CCS

We can supply according to your requirement, drawings, class certificate needs, and delivery schedule.

### Technical Specifications

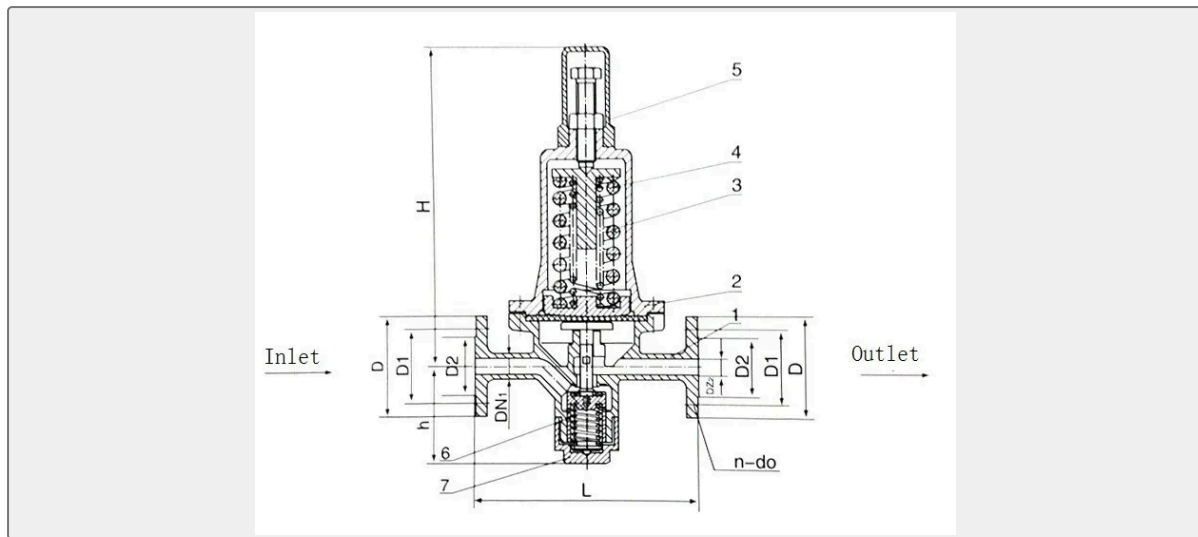
Category	CB Marine Pressure Reducing Valve	Model / SKU	Marine-Flanged-Air-Pressure-Reducing-Valve-HDMV21
Standard	JIS	Material	Bronze, Cast Steel, Cast Iron
Weight / Size	Nominal Size:	Certificate	CCS
Warranty	12 Months unless specified otherwise	Origin	China

#### CONTENTS

- China Marine Flanged Air Pressure Reducing Valve HDMV21:
- Main Parts & Material:
- Technical Specification:
- Main Size(mm):


 0.048617s

## China Marine Flanged Air Pressure Reducing Valve HDMV21:



Marine Air Pressure Reducing Valve is used for marine compressed air pipe system. It can keep outlet pressure stable.

### Technical Specification:

Standard:CB/T3656-94 for reference.

Nominal Size: DN15~DN150

Inlet Pressure: 1.0~3.0Mpa

Outlet Pressure:0.05~1.0Mpa

Pressure Class	Inlet Pressure P1 (Mpa)	Outlet Pressure P2(Mpa)
A	3.0	1.0~0.7
B	3.0	<0.7~0.2
C	1.0	0.4~0.05

### Main Parts & Material:

Body-Bronze, Cast Iron, Cast Steel

Bonnet-Bronze,Cast Iron, Cast Steel

Spring-60Si2MnA

Film-Rubber

### Main Size(mm):

Nominal Size	Structure Size			Flange Size				
	H	h	D	D1	D2	n	d0	
20	180	295	121	105	75	58	4	14
25	180	295	121	115	85	68	4	14
40	200	298	130	150	110	88		



Note: the flange size in the above list is as per GB2501 PN2.5. The flange size also can be manufactured according to JIS, ANSI, DIN standard.