

# Jinbo Marine

Marine &amp; Offshore Equipment Datasheet

PRODUCT DATASHEET

## MARINE LEVEL SWITCH

# Marine Float Level Controller UQK-01

Product Specification: Marine Float Level Controller UQK-01 is widely used in the ship chemical industry and other industrial instrument to carry two place controlling and alarm to the level in liquid tank. ...

ISO9001 Supplier

Class Certificate

Export Supply



### Key Highlights

Category	Marine Level Switch
Standard	EN
Material	Stainless Steel, Bronze
Weight / Size	IP66 or IP68 Flange size is optional.
Certificate	CCS, GL, LR, BV, ABS, DNV GL, RINA, NK, KR ETC.

We can supply according to your requirement, drawings, class certificate needs, and delivery schedule.

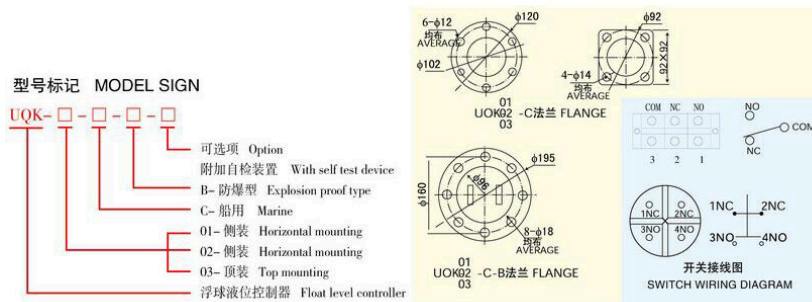
### Technical Specifications

Category	Marine Level Switch	Model / SKU	Marine-Float-Level-Controller-UQK-01
Standard	EN	Material	Stainless Steel, Bronze
Weight / Size	IP66 or IP68 Flange size is optional.	Certificate	CCS, GL, LR, BV, ABS, DNV GL, RINA, NK, KR ETC.
Warranty	12 Months unless specified otherwise	Origin	China

### Product Specification:

Marine Float Level Controller UQK-01 is widely used in the ship chemical industry and other industrial instrument to carry two place controlling and alarm to the level in liquid tank.





Model	Control range	Regulated type	Mounting position	Contact capacity	Float diameter(mm)
UQK-01-C	15~30	Fixed value Unadjustable	Horizontal mounting	SPDT AC 220V 1.5A suit for 250VAC 10A DC125V 0.6A 2 x SPDT(optional)	50 60 76
UQK-01-C-B					
UQK-01-C	25~550	Can be adjust by step	Top mounting		50 60 76
UQK-02-C			Horizontal mounting		
UQK-02-C-B					
UQK-03-C	8~1000	Stepless,adjustable	Top mounting		
UQK-03-C-B					

Nominal pressure: ≤1Mpa

Medium temperature: ≤120°C

Explosion proof type: Ex d II CT3~T6, Ex ia II CT3~T5.

Protection: IP66 or IP68

Flange size is optional.

