

## JIS MARINE CHECK VALVE

# Marine Forged Steel Angle Air Valve JIS F7337 30K

ISO9001 Supplier

Class Certificate

Export Supply

Marine Forged Steel Angle Air Valve JIS F7337 is used on the marine compressed air pipe system to shut off/turn on the air. There are two types, S type is union type, F type is flange type, flange size as per JIS 30K. ...



## Key Highlights

Category	JIS Marine Check Valve
Standard	JIS
Material	Forged Steel
Weight / Size	There are two types, S type is union type, F type is flange type, flange...
Certificate	CCS, BV, ABS, GL, LR, DNV, NK,RINA, KR,IRS

We can supply according to your requirement, drawings, class certificate needs, and delivery schedule.

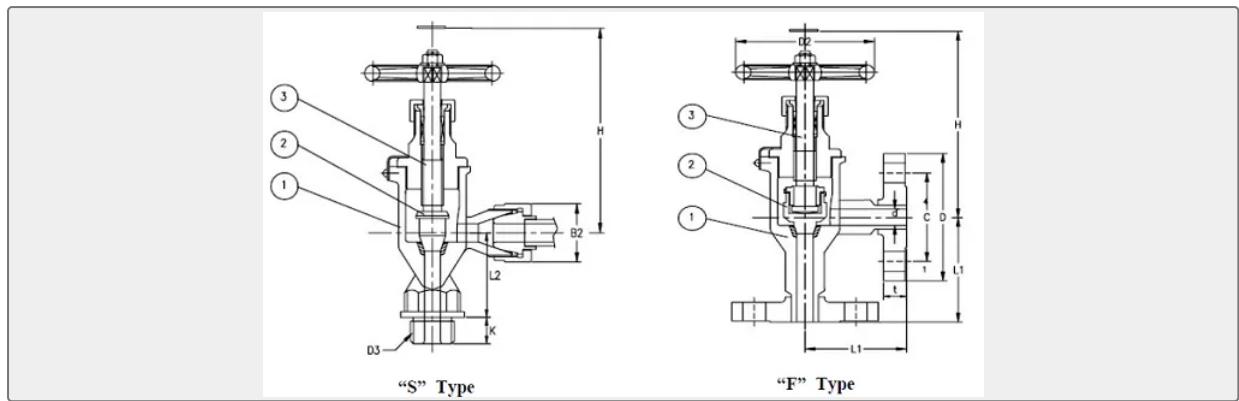
## Technical Specifications

Category	JIS Marine Check Valve	Model / SKU	Marine-Forged-Steel-Angle-Air-Valve-JIS-F7337-30K
Standard	JIS	Material	Forged Steel
Weight / Size	There are two types, S type is union type, F type is flange type, flange size as per JIS 30K.	Certificate	CCS, BV, ABS, GL, LR, DNV, NK,RINA, KR,IRS
Warranty	12 Months unless specified otherwise	Origin	China

### CONTENTS

- China Marine Forged Steel Angle Air Valve JIS F7337 30K:
- Main Material:
- Technical Specification:
- Main Size(mm):

## China Marine Forged Steel Angle Air Valve JIS F7337 30K:



Marine Forged Steel Angle Air Valve JIS F7337 is used on the marine compressed air pipe system to shut off/turn on the air. There are two types, S type is union type, F type is flange type, flange size as per JIS 30K.

### Technical Specification:

- 1.Design Standard: JIS F7337
- 2.Max Working Pressure: 4.6Mpa
- 3.Medium: compressed air
- 4.Watertight Pressure Test: Body---6.9Mpa, Sea---5.06Mpa

### Main Material:

1. Body---Forged Steel
- 2.Seat---Stainless Steel
3. Stem---Stainless Steel

### Main Size(mm):

IMPA CODE	Type	SIZE	Pipe Out. Dia		L1	L2	L3	K	D	C	n	h	t	H	B2	D3	Weight
			Copper	Steel													
750751	Type "S"	6	8 & 10	10.5	42	38	51	12	-	-	-	-	-	115	30	M20 x 1.5	1.23
750752		10	15	17.3	46	45	58	16	-	-	-	-	-	130	41	M24 x 2	1.75
750756	Type "F"	15	-	-	90	-	-	-	115	80	4	19	20	175	-	-	5.59
750757		20	-	-	95	-	-	-	120	85	4	19	20	185	-	-	7
750758		25	-	-	100	-	-	-	130	95	4	19	22	210	-	-	9.11