

Jinbo Marine

Marine & Offshore Equipment Datasheet

PRODUCT DATASHEET

GB MARINE GLOBE VALVE

Marine Forged Steel Male Thread Globe Valve GB594-83

ISO9001 Supplier

Class Certificate

Export Supply

It is also can be called as marine forged steel male thread stop valve. There are two types, A is straight type, B is angle type. Design Standard: GB594-83 Test Standard: GB600 Nomi...



Key Highlights

Category	GB Marine Globe Valve
Standard	GB
Material	Steel
Weight / Size	Body-Stainless Steel for DN10-DN6, carbon steel for DN25-DN32 Bonnet-Car...
Certificate	CCS, BV, ABS, GL, LR, DNV, NK,RINA, KR,IRS

We can supply according to your requirement, drawings, class certificate needs, and delivery schedule.

Technical Specifications

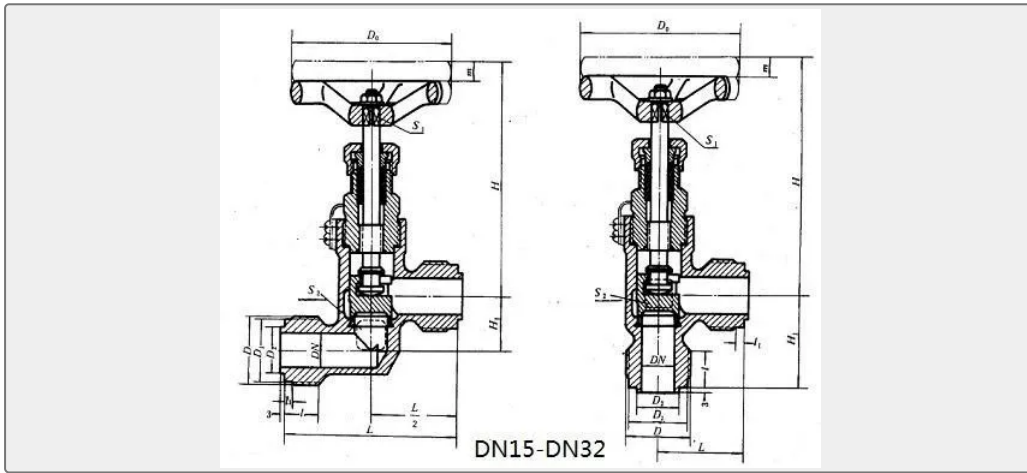
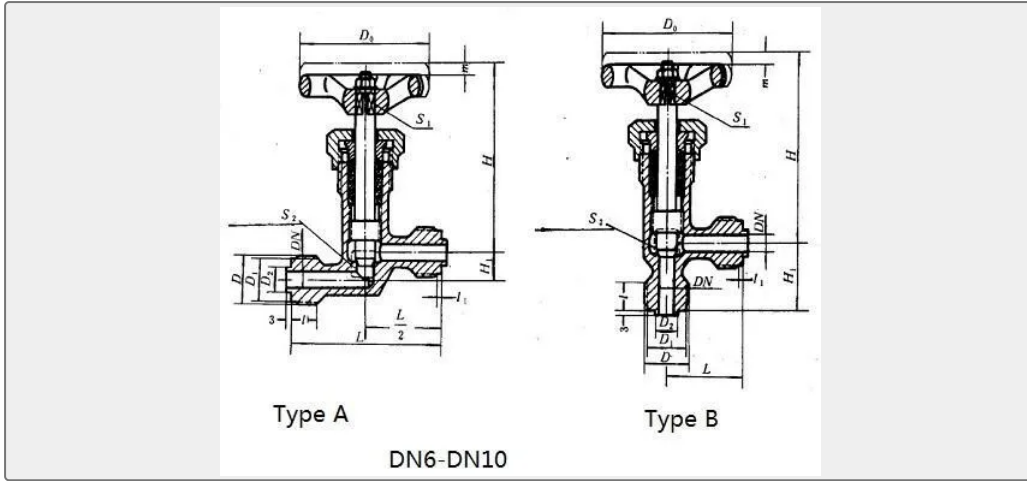
Category	GB Marine Globe Valve	Model / SKU	Marine-Forged-Steel-Male-Thread-Globe-Valve-GB594-83
Standard	GB	Material	Steel
Weight / Size	Body-Stainless Steel for DN10-DN6, carbon steel for DN25-DN32 Bonnet-Carbon Steel Disc- Stainless Steel Stem-Stainless Steel Main Size List(mm):	Certificate	CCS, BV, ABS, GL, LR, DNV, NK,RINA, KR,IRS
Warranty	12 Months unless specified otherwise	Origin	China

CONTENTS

- China Marine Forged Steel Male Thread Globe Valve GB594-83:
- Main Material:
- Main Size List(mm):

 0.042918s

China Marine Forged Steel Male Thread Globe Valve GB594-83:



It is also can be called as marine forged steel male thread stop valve. There are two types, A is straight type, B is angle type.

Design Standard: GB594-83

Test Standard: GB600

Nominal Pressure (Mpa)	Nominal diameter(mm)	Applicable medium
4.0	15--32	fresh water, lubrication oil, fuel oil, steam not over 400°C
10.0	6--32	

Main Material:

Body-Stainless Steel for DN10-DN6, carbon steel for DN25-DN32

Bonnet-Carbon Steel

Disc-Stainless Steel

Stem-Stainless Steel

Main Size List(mm):

DN6--DN10



PN (MPa)	DN (mm)	Structure Dimension					thread joint					wrench size	hand wheel		lift range m	Weight(kg)	
		L		H≈	H1		D	D1	D 2	l 1	S2		D0	S1		Type A	Type B
		Type A	Type B		Type A	Type B											
10.0	6	74	37	90	12	32	M22× 1.5	19. 8	1 0	1 4	3	24	65	7	5	0.49	0.45
	10	94	47	10 9	16	38	M27× 1.5	24. 8	1 4	1 6	3	30	80	8	7	0.89	0.86

DN15--DN32

PN (MPa)	DN (mm)	Structure Dimension					thread joint					wrench size S2		hand wheel		lift range m	Weight(kg)	
		L		H ≈	H1		D	D 1	D 2	l 1	Type A	Type B	D0	S 1	Type A		Type B	
		Type A	Type B		Type A	Type B												
4.0	15	110	55	14 3	25	52	M36 ×2	3 3	2 2	2 2	5	32	41	80	8	10	1.60	1.54
	20	116	58	15 3	32	55	M39 ×2	3 6	2 5	2 3	5	36	46	10 0	9	12	2.04	1.91
	25	130	65	16 7	38	64	M48 ×2	4 5	3 2	2 6	6	46	50	12 0	11	14	2.88	2.37
	32	140	70	19 7	46	72	M56 ×2	5 3	3 8	2 8	6	46	60	14 0	12	16	4.56	4.21
10.0	15	120	60	16 4	27	52	M36 ×2	3 3	2 2	2 2	5	32	41	12 0	11	10	2.10	2.06
	20	134	67	19 4	32	55	M39 ×2	3 6	2 5	2 3	5	36	46	14 0	12	12	2.95	3.19
	25	134	67	20 4	38	64	M48 ×2	4 5	3 2	2 6	6	46	55	14 0	12	14	3.72	3.60
	32	146	73	22 0	46	75	M56 ×2	5 3	3 8	2 8	6	55	65	16 0	14	16	5.12	4.35