

GB MARINE GLOBE VALVE

Marine Forged Steel Male Thread SDNR Valve GB1241-83

ISO9001 Supplier

Class Certificate

Export Supply

It is also can be called as marine forged steel male thread stop check valve or SDNR Globe Valve. There are two types, A is straight type, B is angle type. Design Standard: GB1241-83
Test Standard: GB600 ...



Key Highlights

Category	GB Marine Globe Valve
Standard	GB
Material	Forged Steel
Weight / Size	Body-Carbon Steel Bonnet- Carbon Steel Disc-Stainless Steel Stem-Stainles...
Certificate	CCS, BV, ABS, GL, LR, DNV, NK,RINA, KR,IRS

We can supply according to your requirement, drawings, class certificate needs, and delivery schedule.

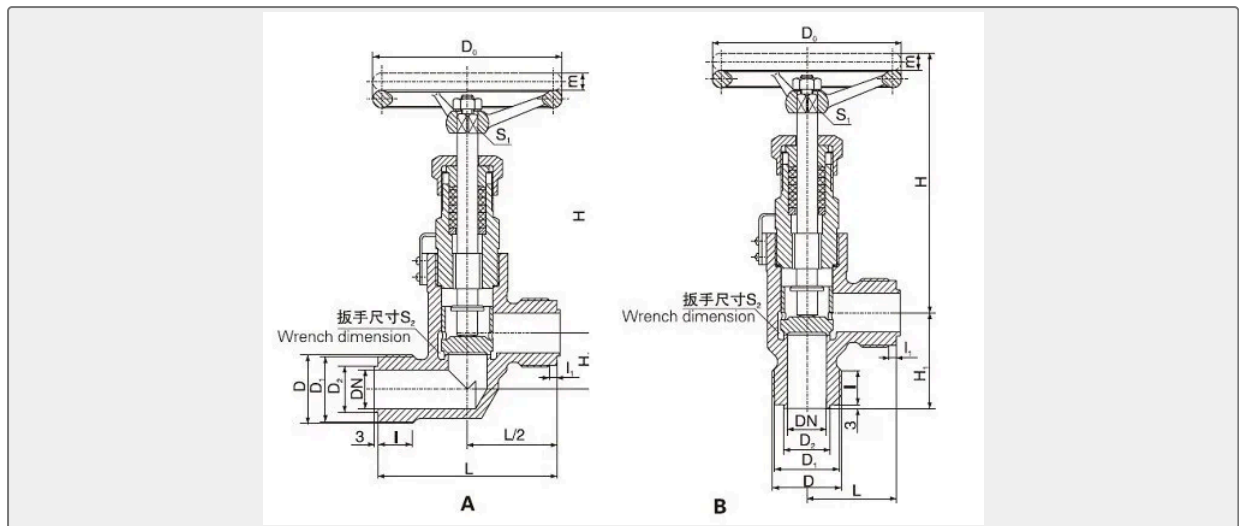
Technical Specifications

Category	GB Marine Globe Valve	Model / SKU	Marine-Forged-Steel-Male-Thread-SDNR-Valve-GB1241-83
Standard	GB	Material	Forged Steel
Weight / Size	Body-Carbon Steel Bonnet- Carbon Steel Disc-Stainless Steel Stem-Stainless Steel Main Size List(mm):	Certificate	CCS, BV, ABS, GL, LR, DNV, NK,RINA, KR,IRS
Warranty	12 Months unless specified otherwise	Origin	China

CONTENTS

- China Marine Forged Steel Male Thread SDNR Valve GB1241-83:
- Main Material:
- Main Size List(mm):

China Marine Forged Steel Male Thread SDNR Valve GB1241-83:



It is also can be called as marine forged steel male thread stop check valve or SDNR Globe Valve. There are two types, A is straight type, B is angle type.

Design Standard: GB1241-83

Test Standard: GB600

Nominal Pressure(Mpa)	Nominal Diameter(mm)	Applicable Medium
4.0	10--32	fresh water, lubrication oil, fuel oil, air, steam not over 400°C

Main Material:

Body-Carbon Steel

Bonnet-Carbon Steel

Disc-Stainless Steel

Stem-Stainless Steel

Main Size List(mm):

DN (mm)	Structure Dimension					thread joint					wrebch size		hand wheel		lift range m	Weight(kg)	
	L		H≈	H1		D	D1	D2	I	I1	S2		D0	S0		Type A	Type B
	Type A	Type B		Type A	Type B						Type A	Type B					
10	94	47	12 8	20	41	M27× 1.5	24. 8	1 4	1 6	3	27	32	80	8	7	1.00	0.97
15	110	55	14 3	25	52	M36× 2	33	2 2	2 2	5	32	41	80	8	10	1.60	1.54
20	116	58	15 4	32	55	M39× 2	36	2 5	2 3	5	36	46	10 0	9	12	2.03	1.87

25	130	65	16 8	38	64	M48× 2	45	3 2	2 6	6	46	50	12 0	11	14	2.85	2.57
32	140	70	20 0	46	72	M56× 2	53	3 8	2 8	6	46	60	14 0	14	16	4.48	4.12