

Jinbo Marine

Marine & Offshore Equipment Datasheet

PRODUCT DATASHEET

STERN TUBE BEARING

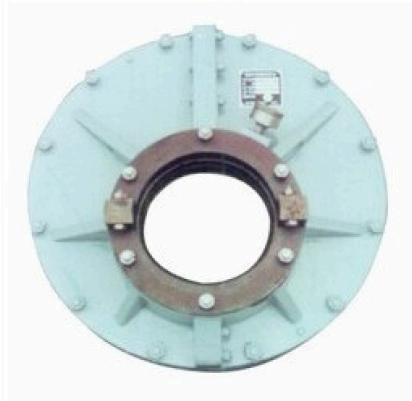
Marine Intermediate Shaft Bulkhead Stuffing Box type B

ISO9001 Supplier

Class Certificate

Export Supply

Marine Bulkhead stuffing box is the sealing device that is installed in the bulkhead where the shaft is through, in order to ensure the watertight. There are Type A, B,C. New Standard: JT/T263-1995 Old ...



Key Highlights

Category	Stern Tube Bearing
Standard	EN
Material	Cast Iron & Carbon Steel
Weight / Size	Type Dimensions (mm) D D1 D2 L h n d δ oil cup (cm3) B220 220 576 646 18...
Certificate	CCS, BV, ABS, GL, LR, DNV, NK,RINA, KR,IRS

We can supply according to your requirement, drawings, class certificate needs, and delivery schedule.



Technical Specifications			
Category	Stern Tube Bearing	Model / SKU	Marine-Intermediate-Shaft-Bulkhead-Stuffing-Box-type-B
Standard	EN	Material	Cast Iron & Carbon Steel
Weight / Size	Type Dimensions (mm) D D1 D2 L h n d δ oil cup (cm3) B220 220 576 646 180 90 12 17 22 50 B250 250 646 716 180 110 12 17 22 50 B280 280 710 780 180 115 12 17 22 50 B300 300 755 825 180 120 14 21 28 50 B320 320 798 878 210 130 14 21 28 50 B350 350 858 938 210 140 14 21 28 50 B308 380 918 998 210 150 16 21 28 50 B400 400 958 1038 210 160 16 21 28 50 B450 450 1056 1145 230 175 16 21 28 100 B470 470 1107 1197 230 185 18 25 34 100 B500 500 1170 1260 230 195 18 25 34 100 B530 530 1234 1324 230 205 18 25 34 100 B560 560 1296 1386 250 215 20 25 34 100 B600 600 1380 1480 250 230 20 25 34 100	Certificate	CCS, BV, ABS, GL, LR, DNV, NK,RINA, KR,IRS
Warranty	12 Months unless specified otherwise	Origin	China

China Marine Intermediate Shaft Bulkhead Stuffing Box type B:



Marine Bulkhead stuffing box is the sealing device that is installed in the bulkhead where the shaft is through, in order to ensure the watertight. There are Type A, B,C.

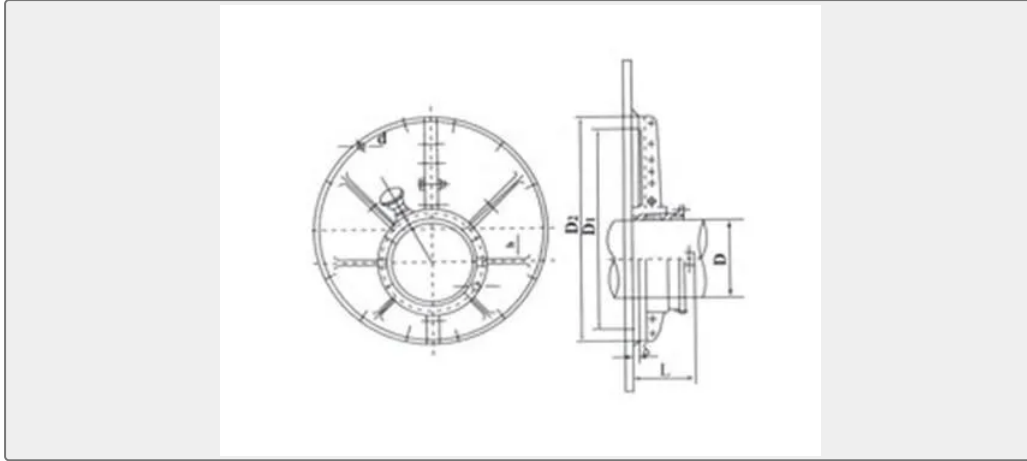
New Standard: JT/T263-1995

Old Standard: JT4174



Type A is suggested for vessels whose bulkhead space is large.

When the bulkhead space of vessel is small or there have requirement on design,you can adopt type B or type C.



Type	Dimensions (mm)								
	D	D1	D2	L	h	n	d	δ	oil cup (cm3)
B220	220	576	646	180	90	12	17	22	50
B250	250	646	716	180	110	12	17	22	50
B280	280	710	780	180	115	12	17	22	50
B300	300	755	825	180	120	14	21	28	50
B320	320	798	878	210	130	14	21	28	50
B350	350	858	938	210	140	14	21	28	50
B308	380	918	998	210	150	16	21	28	50
B400	400	958	1038	210	160	16	21	28	50
B450	450	1056	1145	230	175	16	21	28	100
B470	470	1107	1197	230	185	18	25	34	100
B500	500	1170	1260	230	195	18	25	34	100
B530	530	1234	1324	230	205	18	25	34	100
B560	560	1296	1386	250	215	20	25	34	100
B600	600	1380	1480	250	230	20	25	34	100