

Jinbo Marine

Marine & Offshore Equipment Datasheet

PRODUCT DATASHEET

STERN TUBE BEARING

Marine Intermediate Shaft Bulkhead Stuffing Box type C

ISO9001 Supplier

Class Certificate

Export Supply

Marine Bulkhead stuffing box is the sealing device that is installed in the bulkhead where the shaft is through, in order to ensure the watertight. There are Type A, B,C. New Standard: JT/T263-1995 Old Standa...



Key Highlights

Category	Stern Tube Bearing
Standard	EN
Material	Cast Iron & Carbon Steel
Certificate	CCS, BV, ABS, GL, LR, DNV, NK,RINA, KR,IRS

We can supply according to your requirement, drawings, class certificate needs, and delivery schedule.

Technical Specifications

Category	Stern Tube Bearing	Model / SKU	Marine-Intermediate-Shaft-Bulkhead-Stuffing-Box-type-C
Standard	EN	Material	Cast Iron & Carbon Steel
Certificate	CCS, BV, ABS, GL, LR, DNV, NK,RINA, KR,IRS	Warranty	12 Months unless specified otherwise
Origin	China		

China Marine Intermediate Shaft Bulkhead Stuffing Box type C:

Marine Bulkhead stuffing box is the sealing device that is installed in the bulkhead where the shaft is through, in order to ensure the watertight. There are Type A, B,C.

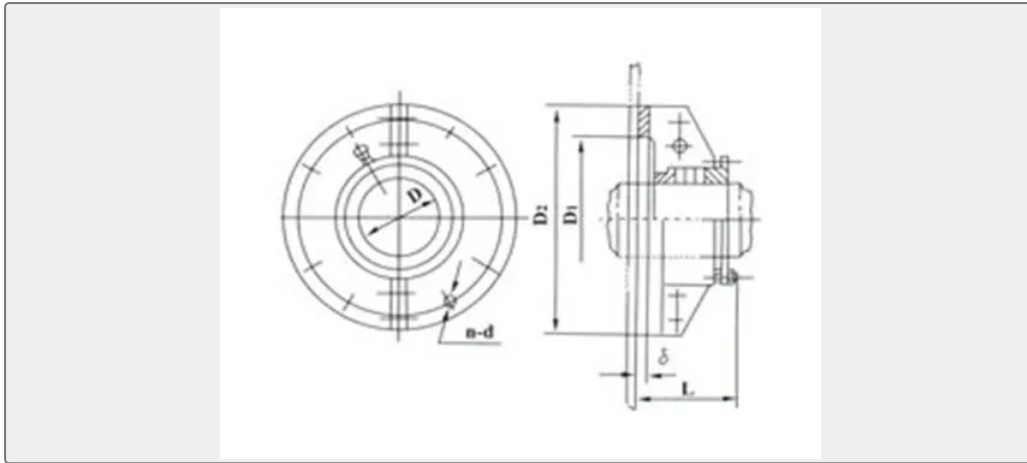
New Standard: JT/T263-1995

Old Standard: JT4174

Type A is suggested for vessels whose bulkhead space is large.



When the bulkhead space of vessel is small or there have requirement on design, you can adopt type B or type C.



Type	D	B	H	B1	H1	L	δ	n	d	oil cup(cm3)
		D1		D2						
C70	70	220	360	280	420	120	16	14	13	18
C80	80	240	400	300	460	120	16	14	13	18
C90	90	260	430	320	490	120	16	14	13	18
C100	100	290	490	360	560	120	16	14	13	18
C110	110	310	520	380	590	150	20	14	15	25
C120	120	350	590	420	660	150	20	14	15	25
C130	130	370	610	440	680	150	20	14	15	25
C140	140	390	650	460	720	150	20	16	15	25
C150	150	410	690	480	760	150	20	16	15	25
C160	160	420	710	500	790	190	22	16	17	50
C170	170	440	740	520	820	190	22	16	17	50
C190	190	470	800	550	880	190	22	16	17	50
C200	200	480	820	560	900	190	22	16	17	50