

HEAT EXCHANGER

# Marine K450-N350 Heat Exchanger

PARAMETER TYPE A &nbsp; B &nbsp; C &nbsp; &nbsp; D E F DIAMETER DIAMETER ...

- ISO9001 Supplier
- Class Certificate
- Export Supply



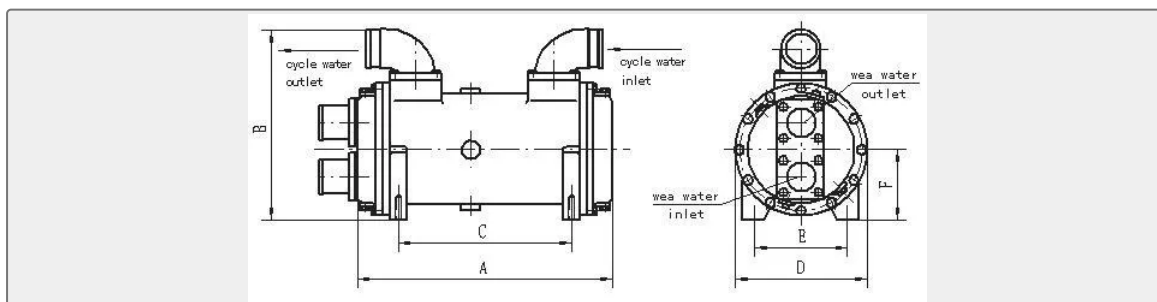
### Key Highlights

<b>Category</b>	Heat Exchanger
<b>Standard</b>	EN
<b>Certificate</b>	ABS, LR, BV, DNVGL, NK, KR, IRS, RMRS, CCS

We can supply according to your requirement, drawings, class certificate needs, and delivery schedule.

Technical Specifications			
<b>Category</b>	Heat Exchanger	<b>Model / SKU</b>	Marine-K450-N350-Heat-Exchanger
<b>Standard</b>	EN	<b>Certificate</b>	ABS, LR, BV, DNVGL, NK, KR, IRS, RMRS, CCS
<b>Warranty</b>	12 Months unless specified otherwise	<b>Origin</b>	China

## China Marine K450-N350 Heat Exchanger:



PARAMETER\ TYPE	A	B	C	D	E	F	DIAMET ER	DIAMET ER	AREA OF	SCOPE
	OF FRESH	OF SEA	COOLING m2	APPLICA BLE						
	mm	mm	mm	mm	m m	m m	WATER	WATER	(FOR REFERENCE)	
K450	615	391	353	270	180	144	21/2"	G2"	2.55	KT450 diesel engine
N350	615	391	353	270	180	144	21/2"	G2"	1.83	NT350 diesel engine