

Jinbo Marine

Marine & Offshore Equipment Datasheet

PRODUCT DATASHEET

HEAT EXCHANGER

Marine K800-K1800 Heat Exchanger

PARAMETER\TYPE A&nbsp; B&nbsp; C&nbsp; &nbsp;D E F DIAMETER DIAMETER ...

ISO9001 Supplier

Class Certificate

Export Supply



Key Highlights

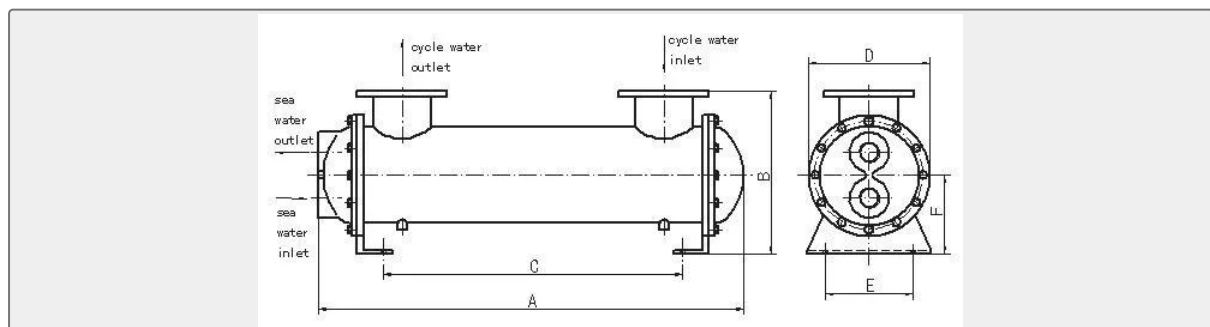
Category	Heat Exchanger
Standard	EN
Certificate	ABS, LR, BV, DNVGL, NK, KR, IRS, RMRS, CCS

We can supply according to your requirement, drawings, class certificate needs, and delivery schedule.

Technical Specifications

Category	Heat Exchanger	Model / SKU	Marine-K800-K1800-Heat-Exchanger
Standard	EN	Certificate	ABS, LR, BV, DNVGL, NK, KR, IRS, RMRS, CCS
Warranty	12 Months unless specified otherwise	Origin	China

China Marine K800-K1800 Heat Exchanger:



PARAMETER TYPE	A	B	C	D	E	F	DIAME TER	DIAME TER	AREA OF	SCOPE
	OF FRESH	OF SEA	COOLIN G m2	APPLICA BLE						
	mm	mm	mm	mm	m m	m m	WATER	WATER	(FOR REFERENCE)	
K1800	1495	465	1137	346	25 0	22 5	6"	G3"	11.8	1600-1800 HP diesel engine
K1600	1223	465	850	346	25 0	22 5	6"	G3"	9.2	1200-1600 HP diesel engine
K1300	1145	395	850	280	15 0	19 2	4"	G21/2"	5.8	1000-1300 HP diesel engine
K1000	898	395	650	280	15 0	19 2	4"	G21/2"	4.23	800-1000 HP diesel engine
K800	758	395	510	280	15 0	19 2	4"	G21/2"	3.44	600-800 HP diesel engine