

# Jinbo Marine

Marine &amp; Offshore Equipment Datasheet

PRODUCT DATASHEET

## GB MARINE CHECK VALVE

# Marine Low Pressure Bronze Male Thread Check Valve GB/T1952-2015

ISO9001 Supplier

Class Certificate

Export Supply

Marine Low Pressure Bronze Male Thread Check Valve GB/T1952-2015 is used to replace the old standard GB1952-80. It is the check valve used on the marine pipe system with sea water, fresh water, fuel oil, lubrication oil ...



### Key Highlights

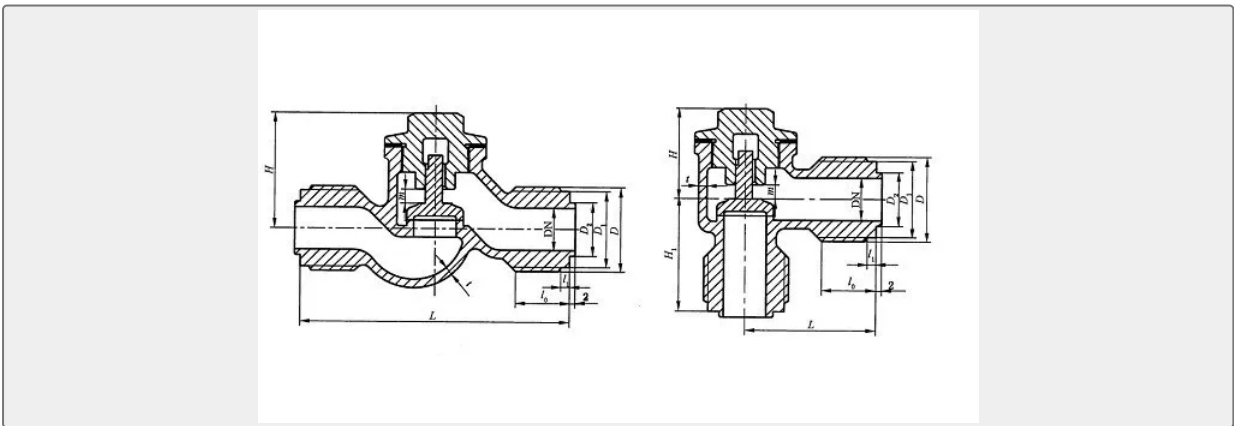
Category	GB Marine Check Valve
Standard	GB
Material	Bronze
Weight / Size	Body-Bronze Bonnet-Bronze Disc-Bronze Main Size List(mm) : DN Structure D...
Certificate	CCS, BV, ABS, GL, LR, DNV, NK,RINA, KR,IRS

We can supply according to your requirement, drawings, class certificate needs, and delivery schedule.

Technical Specifications			
<b>Category</b>	GB Marine Check Valve	<b>Model / SKU</b>	Marine-Low-Pressure-Bronze-Male-Thread-Check-Valve-GB-T1952-2015
<b>Standard</b>	GB	<b>Material</b>	Bronze
<b>Weight / Size</b>	Body-Bronze Bonnet-Bronze Disc-Bronze Main Size List(mm) : DN Structure Dimension Thickness Thread Joint lift range m≈ Weight(kg) (mm) L H≈ H1 t A B A B B D D1 D2 L0 L1 A B 15 95 46 100 91 40 3 M30×2 27 19 19 3 5 0.51 0.44 20 110 49 112 100 44 3.5 M36×2 33 24 19 3 6 0.75 0.73 25 125 53 128 113 48 3.5 M42×2 39 29 20 3 7 1.05 1 32 145 58 136 121 56 4 M48×2 45 36 20 3 9 1.32 1.27	<b>Certificate</b>	CCS, BV, ABS, GL, LR, DNV, NK,RINA, KR,IRS
<b>Warranty</b>	12 Months unless specified otherwise	<b>Origin</b>	China

<b>CONTENTS</b>	■ China Marine Low Pressure Bronze Male Thread Check Valve GB/T1952-2015:	■ Technical Specification:
	■ Main Parts & Material:	■ Main Size List(mm) :

## China Marine Low Pressure Bronze Male Thread Check Valve GB/T1952-2015:



Marine Low Pressure Bronze Male Thread Check Valve GB/T1952-2015 is used to replace the old standard GB1952-80. It is the check valve used on the marine pipe system with sea water, fresh water, fuel oil, lubrication oil and steam.

### Technical Specification:

Design Standard:GB/T1952-2015

Test Standard: GB/T600



Thread Standard: CB\*821

Test Pressure: Body---2.4Mpa, Seal---1.76~0.3Mpa

Type A-Straight type

Type B-Angle type

Nominal Pressure(Mpa)	Nominal Diameter(mm)	Applicable medium
1.6	15-32	sea water,fresh water, fuel oil,lubrication oil and steam not over 250°C

## Main Parts & Material:

Body-Bronze

Bonnet-Bronze

Disc-Bronze

## Main Size List(mm) :

DN (mm)	Structure Dimension					Thickness t	Thread Joint					lift range m≈	Weight(kg)	
	L		H≈		H1		D1	D2	L0	L1	A		B	
A	B	A	B	B	D									
15	95	46	100	91	40	3	M30×2	27	19	19	3	5	0.51	0.44
20	110	49	112	100	44	3.5	M36×2	33	24	19	3	6	0.75	0.73
25	125	53	128	113	48	3.5	M42×2	39	29	20	3	7	1.05	1
32	145	58	136	121	56	4	M48×2	45	36	20	3	9	1.32	1.27