

# Jinbo Marine

Marine &amp; Offshore Equipment Datasheet

PRODUCT DATASHEET

## GB MARINE GLOBE VALVE

# Marine Low Pressure Bronze Male Threaded Stop Valve GB/T1951-2008

ISO9001 Supplier

Class Certificate

Export Supply

Design Standard:GB/T1951-2008 Test Standard: GB/T600 Type A-Straight type Type B-Angle type Test Pressure: Body---2.4Mpa, Seal---1.76Mpa Nominal Pressure(Mpa) ...



### Key Highlights

Category	GB Marine Globe Valve
Standard	GB
Material	Bronze
Weight / Size	Body-Bronze Bonnet-Bronze Disc-Bronze Stem-Bronze Main Size List(mm):
Certificate	CCS, BV, ABS, GL, LR, DNV, NK,RINA, KR,IRS

We can supply according to your requirement, drawings, class certificate needs, and delivery schedule.

### Technical Specifications

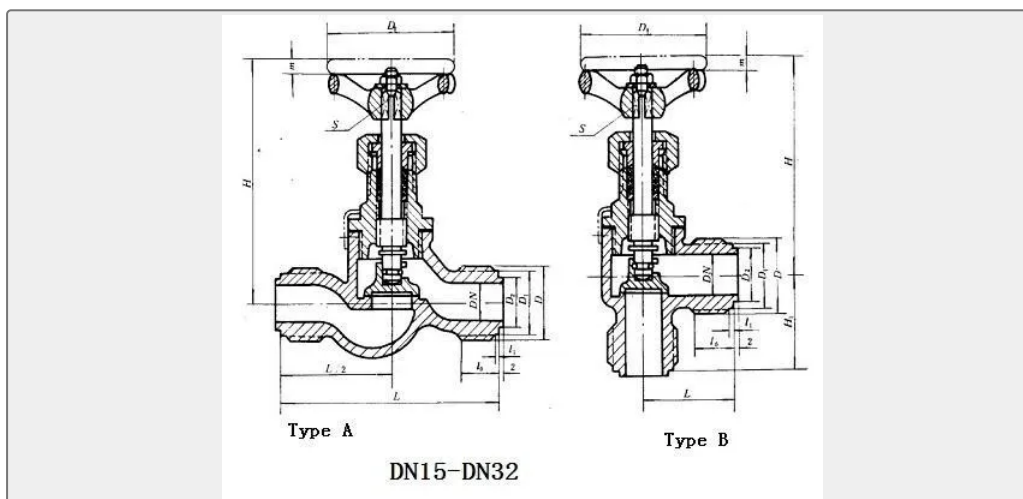
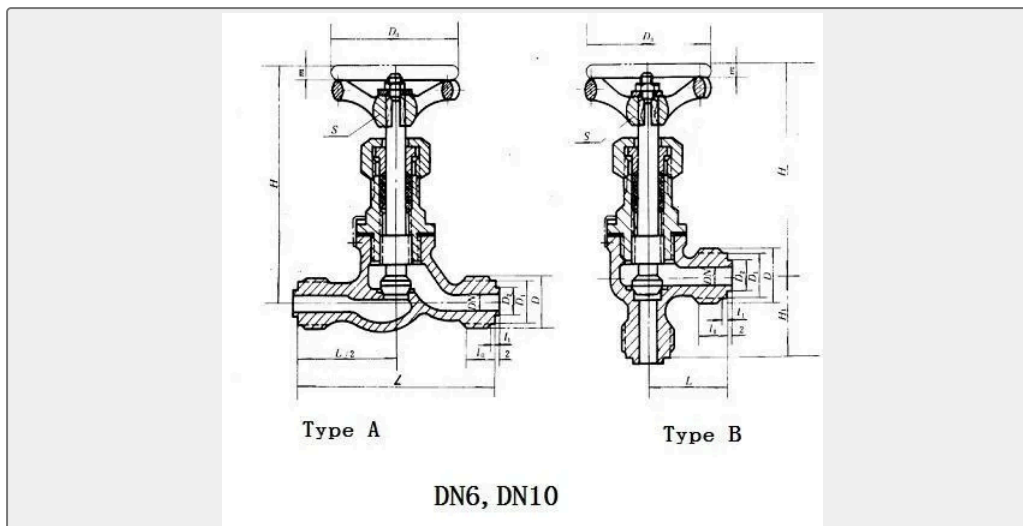
Category	GB Marine Globe Valve	Model / SKU	Marine-Low-Pressure-Bronze-Male-Threaded-Stop-Valve-GB-T1951-2008
Standard	GB	Material	Bronze
Weight / Size	Body-Bronze Bonnet-Bronze Disc-Bronze Stem-Bronze Main Size List(mm):	Certificate	CCS, BV, ABS, GL, LR, DNV, NK,RINA, KR,IRS
Warranty	12 Months unless specified otherwise	Origin	China

#### CONTENTS

- China Marine Low Pressure Bronze Male Threaded Stop Valve GB/T1951-2008:
- Main Parts & Material:
- Main Size List(mm):

 0.041708s

# China Marine Low Pressure Bronze Male Threaded Stop Valve GB/T1951-2008:



Design Standard:GB/T1951-2008

Test Standard: GB/T600

Type A-Straight type

Type B-Angle type

Test Pressure: Body---2.4Mpa, Seal---1.76Mpa

Nominal Pressure(Mpa)	Nominal Diameter(mm)	Applicable medium
1.6	6-32	sea water,fresh water, fuel oil,lubrication oil and steam not over 250°C

## Main Parts & Material:

Body-Bronze

Bonnet-Bronze

Disc-Bronze

Stem-Bronze



## Main Size List(mm):

DN (mm)	Structure Dimension					thread joint					hand wheel		lift range m≈	Weight(kg)	
	L		H≈		H1	D	D1	D2	L0	L1	D0	S1		A	B
	A	B	A	B	B										
6	78	34	90	77	32	M18×1.5	15.8	9	13	2	50	6	5	0.34	0.28
10	80	34	90	78	32	M22×1.5	19.8	3	14	2	50	6	5	0.40	0.32
15	95	46	100	91	40	M30×2	27	19	19	3	50	6	5	0.60	0.53
20	110	49	112	100	44	M36×2	33	24	19	3	65	7	6	0.98	0.96
25	125	53	128	113	48	M42×2	39	29	20	3	80	8	8	1.38	1.33
32	145	58	136	121	56	M48×2	45	36	20	3	80	8	9	1.60	0.55