

CB MARINE SAFETY VALVE

Marine Male Thread Angle Steam Safety Valve CB3192-83

ISO9001 Supplier

Class Certificate

Export Supply

Marine Male Thread Angle Steam Safety Valve is used on the steam pipe system with the temperature not over 190 degree centigrade. Design Standard: CB3192-83 Thread size as per GB821-75 Test standard:GB6...



Key Highlights

Category	CB Marine Safety Valve
Standard	GB
Material	Steel & Bronze
Weight / Size	CB3192-83 Thread size as per GB821-75 Test standard:GB600 & CB3021 Nomin...
Certificate	CCS, BV, ABS, GL,LR,DNV, KR, IRS, RINA

We can supply according to your requirement, drawings, class certificate needs, and delivery schedule.

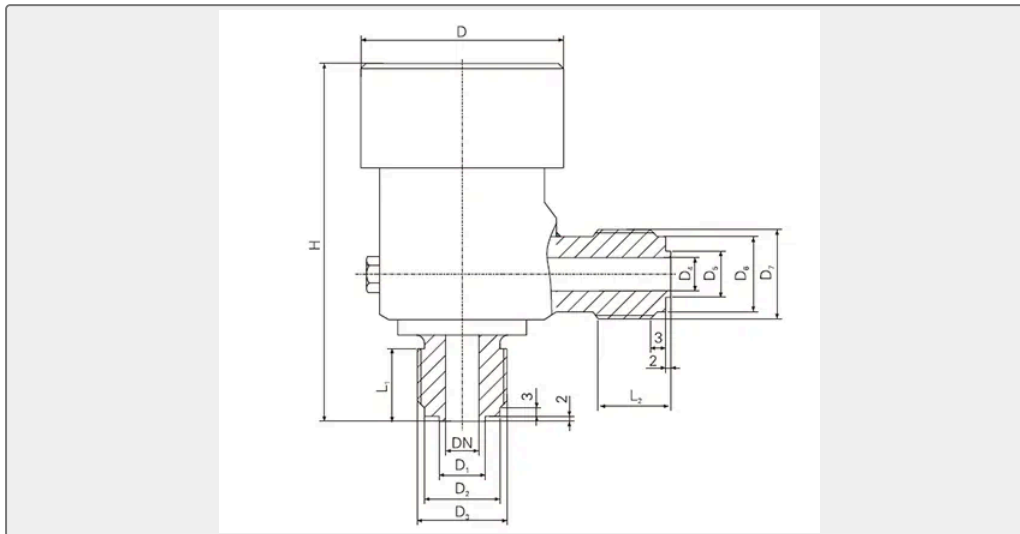
Technical Specifications

Category	CB Marine Safety Valve	Model / SKU	Marine-Male-Thread-Angle-Steam-Safety-Valve-CB3192-83
Standard	GB	Material	Steel & Bronze
Weight / Size	CB3192-83 Thread size as per GB821-75 Test standard:GB600 & CB3021 Nominal Size(mm) Nominal Pressure kgf/cm2 (Mpa) 10 1-2.5 (0.098-0.245) >2.5-6 (0.245-0.588) >6-12 (0.588-1.176) 15 1-2.5 (0.098-0.245) >2.5-6 (0.245-0.588) >6-9 (0.588-0.882) >9-12 (0.882-1.176) Main Parts & Main Material:	Certificate	CCS, BV, ABS, GL,LR,DNV, KR, IRS, RINA
Warranty	12 Months unless specified otherwise	Origin	China



CONTENTS	■ China Marine Male Thread Angle Steam Safety Valve CB3192-83:	■ Main Parts & Main Material:
	■ Main Size List(mm):	

China Marine Male Thread Angle Steam Safety Valve CB3192-83:



Marine Male Thread Angle Steam Safety Valve is used on the steam pipe system with the temperature not over 190 degree centigrade.

Design Standard: CB3192-83

Thread size as per GB821-75

Test standard:GB600 & CB3021

Nominal Size(mm)	Nominal Pressure kgf/cm2 (Mpa)
10	1-2.5 (0.098-0.245)
	>2.5-6 (0.245-0.588)
	>6-12 (0.588-1.176)
15	1-2.5 (0.098-0.245)
	>2.5-6 (0.245-0.588)
	>6-9 (0.588-0.882)
	>9-12 (0.882-1.176)

Main Parts & Main Material:

Seat-Stainless Steel (2Cr13)

Disc-Stainless Steel (2Cr13)

Adjustable Ring-Manganese Brass (HMn58-2)

Body-WCB (#35)

Spring-Spring Steel (50CrVA)



Main Size List(mm):

nominal pressure	nominal diameter	DN	connection dimension									structure dimension				weight (kg)
			D1	D2	D3	D4	D5	D6	D7	L1	L2	D8	L3	H	H1	
0.1~0.25	10	8	13	19.8	M22×1.5	15	19	27	M30×2	19	22	55	63	47	120	1.47
>0.25~0.6	10	8	13	19.8	M22×1.5	15	19	27	M30×2	19	22	55	63	47	120	1.57
>0.6~1.2	10	8	13	19.8	M22×1.5	15	19	27	M30×2	19	22	55	63	47	120	1.47
0.1~0.25	15	10	19	27	M30×2	20	24	33	M36×2	25	22	68	67	56	132	1.90
>0.25~0.6	15	10	19	27	M30×2	20	24	33	M36×2	25	22	68	67	56	132	1.91
>0.6~0.9	15	10	19	27	M30×2	20	24	33	M36×2	25	22	68	67	56	132	1.92
>0.9~1.2	15	10	19	27	M30×2	20	24	33	M36×2	25	22	68	67	56	132	1.93