

# Jinbo Marine

Marine &amp; Offshore Equipment Datasheet

PRODUCT DATASHEET

## CB MARINE SAFETY VALVE

# Marine Male Thread Bronze Angle Liquid Safety Valve CB907-94

ISO9001 Supplier

Class Certificate

Export Supply

Marine Bronze Angle Liquid Safety Valve with male thread is used on the pipe system & the pressure containers with the medium: sea water, fresh water, fuel oil, lubrication oil.

Design Standard: CB907-94 T...



### Key Highlights

Category	CB Marine Safety Valve
Standard	CB
Material	Bronze
Weight / Size	CB3021-94 Thread size as per CB56-83, CB821-84 Main Parts & Material:
Certificate	Mill certificate

We can supply according to your requirement, drawings, class certificate needs, and delivery schedule.

### Technical Specifications

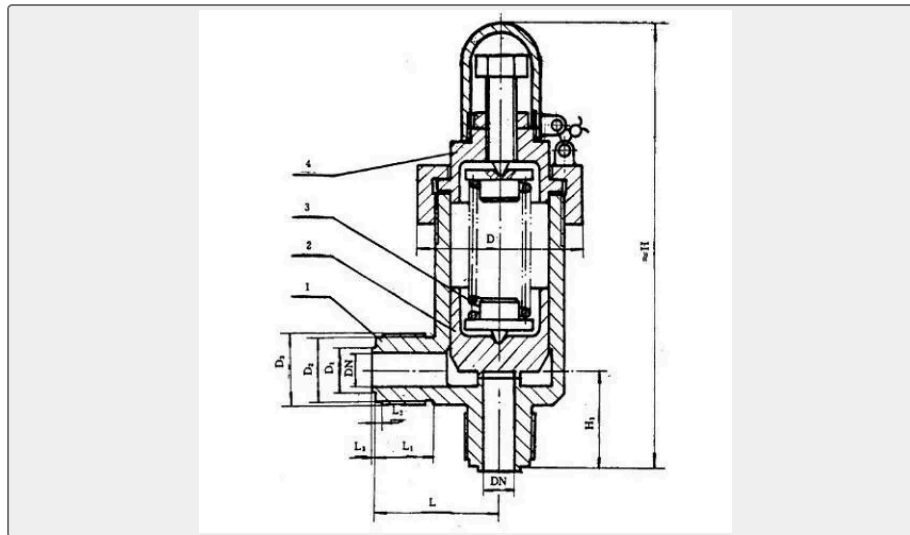
Category	CB Marine Safety Valve	Model / SKU	Marine-Male-Thread-Bronze-Angle-Liquid-Safety-Valve-CB907-94
Standard	CB	Material	Bronze
Weight / Size	CB3021-94 Thread size as per CB56-83, CB821-84 Main Parts & Material:	Certificate	Mill certificate
Warranty	12 Months unless specified otherwise	Origin	China

#### CONTENTS

- China Marine Male Thread Bronze Angle Liquid Safety Valve CB907-94:
- Main Size List(mm):
- Main Parts & Material:



## China Marine Male Thread Bronze Angle Liquid Safety Valve CB907-94:



Marine Bronze Angle Liquid Safety Valve with male thread is used on the pipe system & the pressure containers with the medium: sea water, fresh water, fuel oil, lubrication oil.

Design Standard: CB907-94

Test Standard: CB3021-94

Thread size as per CB56-83, CB821-84

### Main Parts & Material:

Body-Bronze

Bonnet-Bronze

Disc-Bronze

Spring-Spring Steel Wire

### Main Size List(mm):

nominal pressure	nominal diameter	structure dimension				flange connection dimension						weight (kg)
		L	D	H1	H	D1	D2	D3	L1	L2	L3	
0.1~0.25	10	40	55	30	138	13	19.8	M22×1.5	17	2	2	1.3
>0.25~0.6		40	55	30	138	13	19.8	M22×1.5	17	2	2	
>0.6~0.9		40	55	30	138	13	19.8	M22×1.5	17	2	2	
>0.9~1.2		40	55	30	140	13	19.8	M22×1.5	17	2	2	
>1.2~1.6		40	55	30	140	13	19.8	M22×1.5	17	2	2	
>1.6~2.5		42	55	34	146	14	24.8	M27×1.5	19	3	3	
>2.5~3.2		42	55	34	149	14	24.8	M27×1.5	19	3	3	

0.1~0.25	15	48	58	40	148	19	27	M30×2	23	3	2	1.5
>0.25~0.6		48	58	40	148	19	27	M30×2	23	3	2	
>0.6~0.9		48	58	40	148	19	27	M30×2	23	3	2	
>0.9~1.2		48	58	40	155	19	27	M30×2	23	3	2	
>1.2~1.6		48	58	40	155	19	27	M30×2	23	3	2	
>1.6~2.5		50	58	45	162	22	33	M36×2	26	5	3	
>2.5~3.2		50	58	45	162	22	33	M36×2	26	5	3	
0.1~0.25	20	55	72	44	170	24	33	M36×2	23	3	2	2.4
>0.25~0.6		55	72	44	170	24	33	M36×2	23	3	2	
>0.6~0.9		55	72	44	170	24	33	M36×2	23	3	2	
>0.9~1.2		55	72	44	170	24	33	M36×2	23	3	2	
>1.2~1.6		55	72	44	170	24	33	M36×2	23	3	2	
>1.6~2.5		60	72	48	176	25	36	M39×2	27	5	3	
>2.5~3.2		60	72	48	186	25	36	M39×2	27	5	3	
0.1~0.25	25	60	80	46	190	29	39	M42×2	24	3	2	4.5
>0.25~0.6		60	80	46	190	29	39	M42×2	24	3	2	
>0.6~0.9		60	80	46	190	29	39	M42×2	24	3	2	
>0.9~1.2		60	80	46	190	29	39	M42×2	24	3	2	
>1.2~1.6		60	80	46	197	29	39	M42×2	24	3	2	
>1.6~2.5		67	80	55	203	32	45	M48×2	30	6	3	
>2.5~3.2		67	80	55	210	32	45	M48×2	30	6	3	