

# Jinbo Marine

Marine &amp; Offshore Equipment Datasheet

PRODUCT DATASHEET

## GB MARINE QUICK CLOSING VALVE

# Marine Male Thread Weight Quick Closing Valve GB1850-2008

Marine Male Thread Weight Quick Closing Valve is the quick closing valve used on the marine fuel oil pipe system. Technical Specification: Design Standard: GB1850-2008 Test Standard: GB/T600, ISO5208...

ISO9001 Supplier

Class Certificate

Export Supply



### Key Highlights

Category	GB Marine Quick Closing Valve
Standard	ISO
Material	Carbon Steel
Weight / Size	Marine Male Thread Weight Quick Closing Valve is the quick closing valve...
Certificate	ABS, LR, BV, DNVGL, NK, KR, IRS, RMRS, CCS

We can supply according to your requirement, drawings, class certificate needs, and delivery schedule.

### Technical Specifications

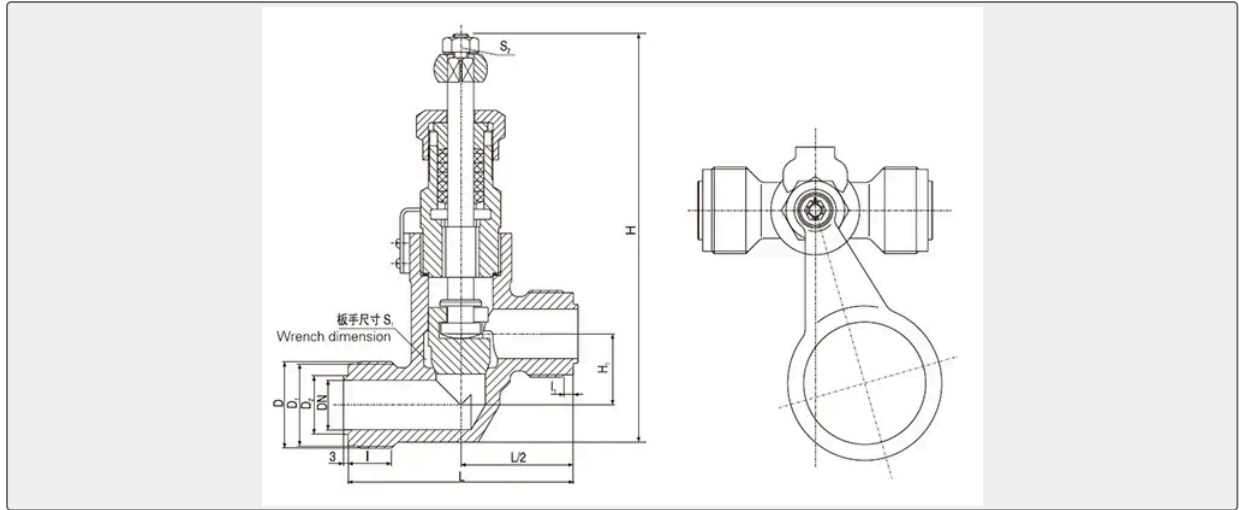
Category	GB Marine Quick Closing Valve	Model / SKU	Marine-Male-Thread-Weight-Quick-Closing-Valve-GB1850-2008
Standard	ISO	Material	Carbon Steel
Weight / Size	Marine Male Thread Weight Quick Closing Valve is the quick closing valve used on the marine fuel oil pipe system.	Certificate	ABS, LR, BV, DNVGL, NK, KR, IRS, RMRS, CCS
Warranty	12 Months unless specified otherwise	Origin	China

#### CONTENTS

- China Marine Male Thread Weight Quick Closing Valve GB1850-2008:
- Main Parts & Material:
- Technical Specification:
- Main Size(mm):


 0.054324s

## China Marine Male Thread Weight Quick Closing Valve GB1850-2008:



Marine Male Thread Weight Quick Closing Valve is the quick closing valve used on the marine fuel oil pipe system.

### Technical Specification:

Design Standard: GB1850-2008

Test Standard: GB/T600, ISO5208:1982

Thread Standard: CB56

Nominal Pressure: 2.5Mpa

Nominal Diameter: 10~32

Applicable Medium: Fuel Oil

Test Pressure: body---3.75Mpa, disc---2.75Mpa

### Main Parts & Material:

Body/Bonnet: Carbon Steel Q235-A

Disc: Carbon Steel #45

Stem: Stainless Steel 2Cr13

Handle: Nodular Cast Iron QT400

Gland Nut: Brass

### Main Size(mm):

DN (mm)	Structure Dimension			Thread Joint					wrench size(S1)	weight handle				lift range ≈m	Weight(kg )
	L	H≈	H1	D	D1	D 2	l 1	L0		S 2	α0 ≈	β0 ≈			
10	94	115	16	M27×1. 5	24. 8	14	1	3	30	98	8	15 0	20	5	1.35



15	110	141	25	M36×2	33. 0	22	2 2	5	32		10 0	8	15 0	20	5	2.32
20	116	146	32	M39×2	36. 0	25	2 3	5	36		10 2	9	14 4	26	6	2.67
25	130	157	38	M48×2	45. 0	32	2 6	6	46		10 5	11	12 6	30	7	3.28
32	140	184	46	M56×2	53. 0	38	2 8	6	46		10 8	12	14 4	26	8	4.90