

# Jinbo Marine

Marine & Offshore Equipment Datasheet

PRODUCT DATASHEET

## GB MARINE QUICK CLOSING VALVE

# Marine Manual Quick Closing Valve GB/T5744-2008 Type AS/ASS

ISO9001 Supplier

Class Certificate

Export Supply

Quick Closing Valve for Marine Use GB/T5744-2008 is mainly used on the marine oil pipe system to shut off the oil flow quickly. It can be manual or pneumatic. Technical Specification: Design Standard: GB/T57...



### Key Highlights

Category	GB Marine Quick Closing Valve
Standard	GB
Material	Cast Steel
Weight / Size	0.3Mpa Air Flange size as per GB2501, GB569 AS---Straight & Manual type ...
Certificate	CCS, BV, ABS, GL, LR, DNV, NK,RINA, KR,IRS

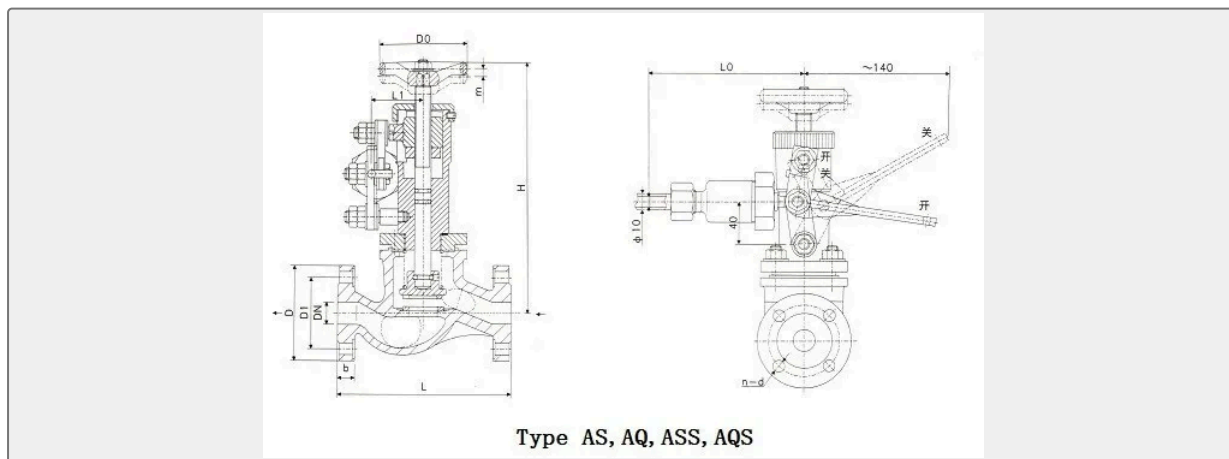
We can supply according to your requirement, drawings, class certificate needs, and delivery schedule.



Technical Specifications			
<b>Category</b>	GB Marine Quick Closing Valve	<b>Model / SKU</b>	Marine-Manual-Quick-Closing-Valve-GB-T5744-2008-Type-AS-ASS
<b>Standard</b>	GB	<b>Material</b>	Cast Steel
<b>Weight / Size</b>	0.3Mpa Air Flange size as per GB2501, GB569 AS---Straight & Manual type with GB569 flange ASS---Straight & Manual type with GB2501 flange AQ---Straight & Pneumatic type with GB569 flange AQS---Straight & Pneumatic type with GB2501 flange BS---Angle & Manual type with GB569 flange BSS---Angle & Manual type with GB2501 flange BQ---Angle & Pneumatic type with GB569 flange BQS---Angle & Pneumatic type with GB2501 flange Nominal Pressure(Mpa) Nominal Diameter(mm) Applicable medium 0.25 20-150 fuel oil,lubrication oil and other oil.	<b>Certificate</b>	CCS, BV, ABS, GL, LR, DNV, NK,RINA, KR,IRS
<b>Warranty</b>	12 Months unless specified otherwise	<b>Origin</b>	China

<b>CONTENTS</b>	■ China Marine Manual Quick Closing Valve GB/T5744-2008 Type AS/ASS:	■ Technical Specification:
	■ Main Material:	■ Main Size List(mm):

### China Marine Manual Quick Closing Valve GB/T5744-2008 Type AS/ASS:



Quick Closing Valve for Marine Use GB/T5744-2008 is mainly used on the marine oil pipe system to shut off the oil flow quickly. It can be manual or pneumatic.



## Technical Specification:

Design Standard: GB/T5744-2008

Test Standard: GB600

Test Pressure: 0.3Mpa Air

Flange size as per GB2501, GB569

AS---Straight & Manual type with GB569 flange

ASS---Straight & Manual type with GB2501 flange

AQ---Straight & Pneumatic type with GB569 flange

AQS---Straight & Pneumatic type with GB2501 flange

BS---Angle & Manual type with GB569 flange

BSS---Angle & Manual type with GB2501 flange

BQ---Angle & Pneumatic type with GB569 flange

BQS---Angle & Pneumatic type with GB2501 flange

Nominal Pressure(Mpa)	Nominal Diameter(mm)	Applicable medium
0.25	20-150	fuel oil, lubrication oil and other oil.

## Main Material:

Body-Cast Steel

Bonnet-Cast Steel

Disc-Carbon Steel

Stem-Stainless Steel

Piston-Brass

## Main Size List(mm):

Flange as per GB569

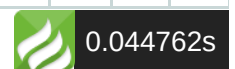
DN (mm)	Structure Dimension						Thickness $\delta$	Flange					Bolt		hand wheel		Lift Range m	cylinder volume V cm <sup>3</sup>	Weight(kg)			
	L		H		L <sub>1</sub>	L <sub>2</sub>		D	D <sub>1</sub>	D <sub>2</sub>	b	d <sub>0</sub>	n	Th	Do	S			A <sub>S</sub>	A <sub>Q</sub>	B <sub>S</sub>	B <sub>Q</sub>
	A	B	A	B																		
20	150	95	240	320	143	44	6	95	68	48	11	13	4	M12	80	8	7	27	5.8	6.7	6.2	7.1



25	160	100	242	325	143	44	6	105	73	56	123	13	4	M12	80	8	9	27	6.6	7.5	6.8	7.7
32	180	105	245	330	143	44	6	115	83	64	135	15	6	M14	100	9	9	27	7.1	8.0	7.0	7.9
40	200	115	275	365	143	48	6	125	93	74	135	15	6	M14	120	11	12	27	10.1	11.0	9.6	10.5
50	230	125	283	381	143	49	7	135	103	84	135	15	6	M14	140	12	15	27	11.6	12.5	12.6	13.5
65	290	145	325	437	155	58	7	155	120	104	155	16	6	M14	140	12	19	58	18.7	20.0	16.7	18.0
80	310	155	350	466	155	58	7	170	138	118	155	16	8	M14	160	14	23	58	23.7	25.0	22.7	24.0
100	350	175	375	500	155	62	8	190	158	138	155	16	8	M14	180	14	30	58	31.8	33.0	27.8	29.0
125	400	200	400	540	155	68	9	215	186	164	155	16	10	M14	200	17	36	58	37.8	39.0	33.8	35.0
150	480	225	430	580	155	75	10	240	220	199	155	16	12	M14	225	19	45	58	47.8	49.0	38.8	40.0

**Flange as per GB2501**

D N (m m)	Structure Dimension						Thic knes s δ	Flange					Bolt		hand wheel		Lift Rang em	cylind er volum e V cm3	Weight(kg)			
	L		H		L 1	L 2		D	D 1	D 2	b	d 0	n	Th .	D o	S			A S S	A Q S	B S S	B Q S
	A S S A Q S	B S S A B Q S	A S S A B Q S	B S S A B Q S																		
20	150	95	240	320	143	44	6	90	65	50	14	11	4	M10	80	8	7	27	6.8	7.6	7.2	8.0
25	160	100	242	325	143	44	6	100	75	60	14	11	4	M10	80	8	9	27	7.6	8.4	8.0	8.8
32	180	105	245	330	143	44	6	110	90	70	14	11	4	M12	100	9	9	27	9.2	10.0	9.0	9.8



40	20 0	11 5	27 5	36 5	1 4 3	4 8	6	1 3 0	1 0 0	8 0	1 6	1 4	4	M 12	12 0	1 1	12	27	12 .2	13 .0	11 .8	12 .6
50	23 0	12 5	28 3	38 1	1 4 3	4 9	7	1 4 0	11 0	9 0	1 6	1 4	4	M 12	14 0	1 2	15	27	14 .9	15 .7	15 .9	16 .7
65	29 0	14 5	32 5	43 7	1 5 5	5 8	7	1 6 0	1 3 0	11 0	1 6	1 4	4	M 12	14 0	1 2	19	58	21 .5	22 .7	19 .5	20 .7
80	31 0	15 5	35 0	46 6	1 5 5	5 8	7	1 9 0	1 5 0	1 2 8	1 8	1 8	4	M 16	16 0	1 4	23	58	25 .8	27 .0	24 .8	26 .0
10	35 0	17 5	37 5	50 0	1 5 5	6 2	8	2 1 0	1 7 0	1 4 8	1 8	1 8	4	M 16	18 0	1 4	30	58	38 .8	40 .0	34 .8	36 .0
12	40 5	20 0	40 0	54 0	1 5 5	6 8	9	2 4 0	2 0 0	1 7 8	2 0	1 8	8	M 16	20 0	1 7	36	58	46 .3	47 .5	42 .3	43 .5
15	48 0	22 5	43 0	58 0	1 5 5	7 5	10	2 6 5	2 2 5	2 0 2	2 0	1 8	8	M 16	22 5	1 9	45	58	59 .8	61 .0	50 .8	52 .0