

# Jinbo Marine

Marine &amp; Offshore Equipment Datasheet

PRODUCT DATASHEET

## JIS MARINE STRAINER & FILTER

# Marine Mud Box JIS F7203 S type

Design Standard: JIS F7203-1996 Test Standard: JIS 7200-1996 Hydraulic Test Pressure:  
Body- 0.1Mpa Flange size as per JIS B2220 - 5K Main Material: Body: Cast Iron (FC200)  
Bonne...

ISO9001 Supplier

Class Certificate

Export Supply



### Key Highlights

Category	JIS Marine Strainer & Filter
Standard	JIS
Material	Cast Iron
Weight / Size	Body- 0.1Mpa Flange size as per JIS B2220 - 5K Main Material:
Certificate	CCS, BV, ABS, GL, LR, DNV, NK,RINA

We can supply according to your requirement, drawings, class certificate needs, and delivery schedule.

### Technical Specifications

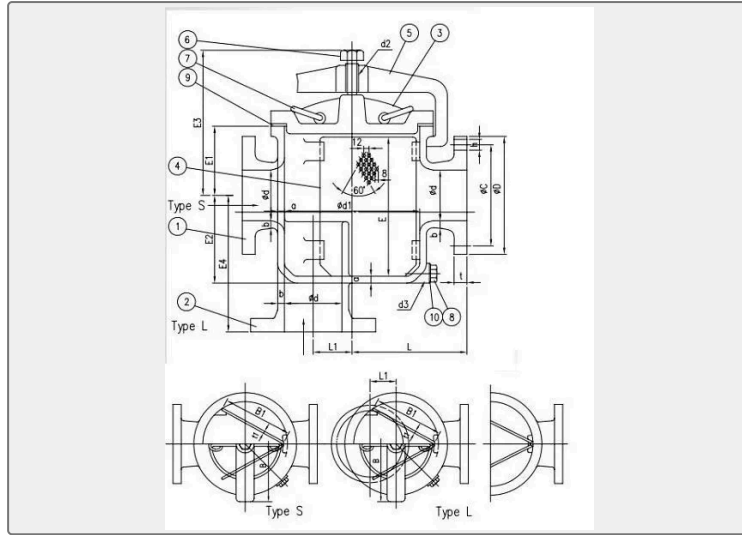
Category	JIS Marine Strainer & Filter	Model / SKU	Marine-Mud-Box-JIS-F7203-S-type
Standard	JIS	Material	Cast Iron
Weight / Size	Body- 0.1Mpa Flange size as per JIS B2220 - 5K Main Material:	Certificate	CCS, BV, ABS, GL, LR, DNV, NK,RINA
Warranty	12 Months unless specified otherwise	Origin	China

#### CONTENTS

- China Marine Mud Box JIS F7203 S type:
- Main Material:
- Main Size List(mm):



## China Marine Mud Box JIS F7203 S type:



Design Standard: JIS F7203-1996

Test Standard: JIS 7200-1996

Hydraulic Test Pressure: Body- 0.1Mpa

Flange size as per JIS B2220 - 5K

### Main Material:

Body: Cast Iron (FC200)

Bonnet: Cast Iron (FC200)

Cover Push: Cast Iron (FC200)

Strainer: SS400 or SUS304

### Main Size List(mm):

DN	d	L	D	C	No of bolt hole	h	t	E
40	40	90	120	95	4	15	16	145
50	50	120	130	105	4	15	16	145
65	65	150	155	130	4	15	18	180
80	80	160	180	145	4	19	18	195
100	100	190	200	165	8	19	20	225
125	125	235	235	200	8	19	20	275
150	150	280	265	230	8	19	22	320
200	200	330	320	280	8	23	24	405
250	250	380	385	345	12	23	26	525

