

Jinbo Marine

Marine & Offshore Equipment Datasheet

PRODUCT DATASHEET

MARINE VENTILATOR

Marine Mushroom Ventilator Type C

Mushroom Ventilator is installed on the exposed deck or mechanical ventilation devices for natural ventilation. The feature is with reasonable structure, convenient opening & closing, weathertight. Standar...

ISO9001 Supplier

Class Certificate

Export Supply



Key Highlights

Category	Marine Ventilator
Standard	CB
Material	Steel
Weight / Size	1-Handwheel 2- Hood 3-Screw Stem 4-Seal 5-Weathertight cover 6-mouse pro...
Certificate	CCS, BV, ABS, GL, LR, DNV, NK,RINA, KR,IRS

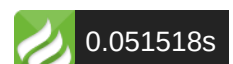
We can supply according to your requirement, drawings, class certificate needs, and delivery schedule.

Technical Specifications

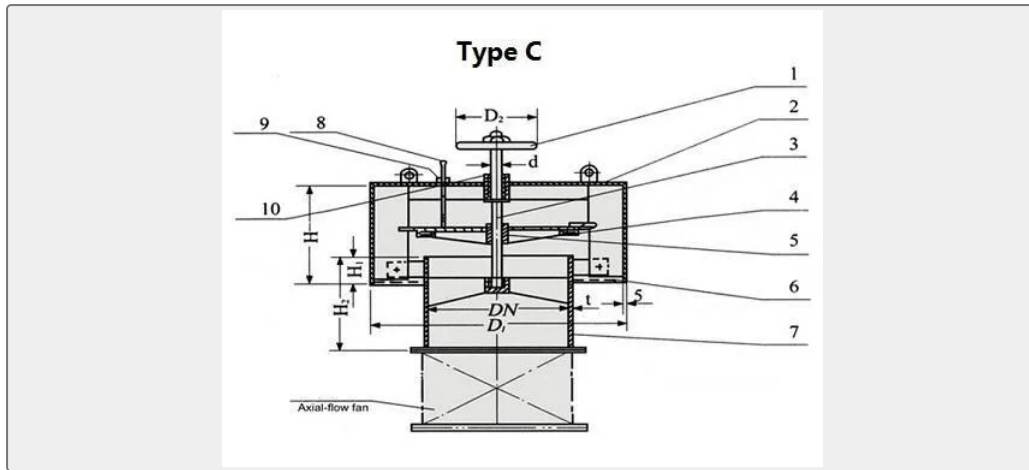
Category	Marine Ventilator	Model / SKU	Marine-Mushroom-Ventilator-Type-C
Standard	CB	Material	Steel
Weight / Size	1-Handwheel 2- Hood 3-Screw Stem 4-Seal 5-Weathertight cover 6-mouse proof,insect prevention screen or fireproof screen 7- Ventilator 8-Instruction stick 9- Casing Pipe Main Size List(mm):	Certificate	CCS, BV, ABS, GL, LR, DNV, NK,RINA, KR,IRS
Warranty	12 Months unless specified otherwise	Origin	China

CONTENTS

- China Marine Mushroom Ventilator Type C:
- Main Parts:
- Main Types:
- Main Size List(mm):



China Marine Mushroom Ventilator Type C:



Mushroom Ventilator is installed on the exposed deck or mechanical ventilation devices for natural ventilation. The feature is with reasonable structure, convenient opening & closing, weathertight.

Standard: CB/T295-2000

Main Types:

Type A-Inside opening & closing Mushroom Ventilator

Type B-Outside opening & closing weathertight t Mushroom Ventilator (Welded installment)

Type C-Outside opening & closing weathertight Mushroom Ventilator (Bolted installment)

Type D-Fixed ventilator

Main Parts:

1-Handwheel

2- Hood

3-Screw Stem

4-Seal

5-Weathertight cover

6-mouse proof, insect prevention screen or fireproof screen

7-Ventilator

8-Instruction stick

9-Casing Pipe

Main Size List(mm):

Nominal Dia. (DN)	D1.	D2	H	H1	H2	d	t	weight(kgs)
--------------------	-----	----	---	----	----	---	---	-------------

250	440	200	220	90	210	Tr24*5-LH	6	62
300	530		265					77
350	620		310					96
400	710	280	345	105	230	Tr30*6-LH	8	118
450	800		375					147
500	890	320	405	120	270	Tr40*7-LH	8	179
550	980		435					207
600	1050		470					223
650	1160		500					249
700	1240		520					274
750	1320	540	309					
800	1410	360	560	140	320	Tr46*8-LH	8	359
850	1500		580					408
900	1580		600					434
950	1670		620					455
1000	1760		640					530
1100	1930		680					601
1200	2100		720					689
1300	2270	760	761					
1400	2440	400	800		350			939