

Jinbo Marine

Marine & Offshore Equipment Datasheet

PRODUCT DATASHEET

GB MARINE QUICK CLOSING VALVE

Marine Pneumatic Angle Quick Closing Valve GB/T5744-2008 Type BQ/BQS

ISO9001 Supplier

Class Certificate

Export Supply

Quick Closing Valve for Marine Use GB/T5744-2008 is mainly used on the marine oil pipe system to shut off the oil flow quickly. It can be manual or pneumatic. Technical Specification: Design Standard: GB/T574...



Key Highlights

Category	GB Marine Quick Closing Valve
Standard	GB
Material	Cast Steel
Weight / Size	0.3Mpa Air Flange size as per GB2501, GB569 AS---Straight & Manual type ...
Certificate	CCS, BV, ABS, GL, LR, DNV, NK,RINA, KR,IRS

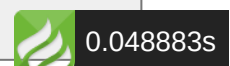
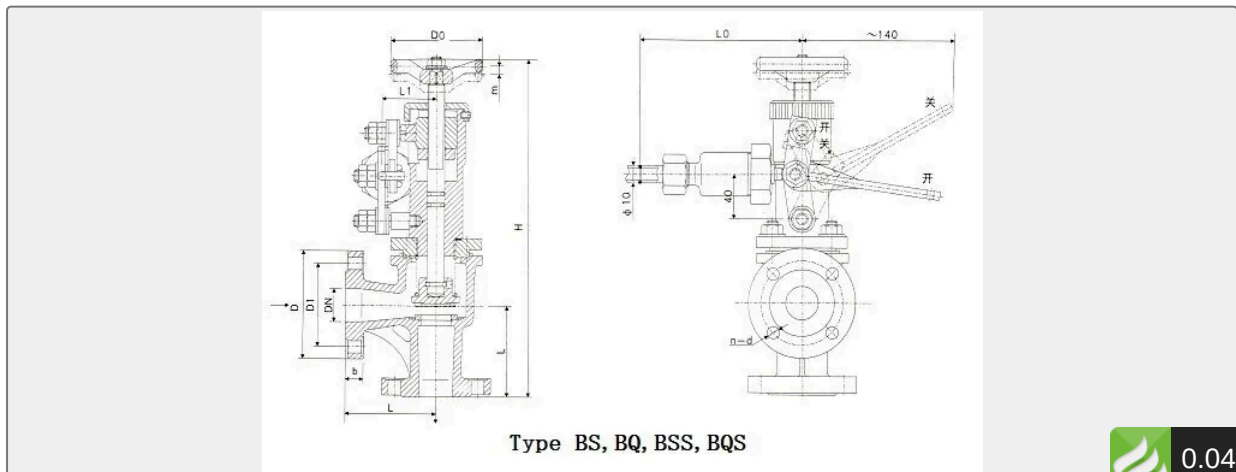
We can supply according to your requirement, drawings, class certificate needs, and delivery schedule.



Technical Specifications			
Category	GB Marine Quick Closing Valve	Model / SKU	Marine-Pneumatic-Angle-Quick-Closing-Valve-GB-T5744-2008-Type-BQ-BQS
Standard	GB	Material	Cast Steel
Weight / Size	0.3Mpa Air Flange size as per GB2501, GB569 AS---Straight & Manual type with GB569 flange ASS---Straight & Manual type with GB2501 flange AQ---Straight & Pneumatic type with GB569 flange AQS---Straight & Pneumatic type with GB2501 flange BS---Angle & Manual type with GB569 flange BSS---Angle & Manual type with GB2501 flange BQ---Angle & Pneumatic type with GB569 flange BQS---Angle & Pneumatic type with GB2501 flange Nominal Pressure(Mpa) Nominal Diameter(mm) Applicable medium Air Cylinder Working Pressure (Mpa) 0.25 20-150 fuel oil,lubrication oil and other oil.	Certificate	CCS, BV, ABS, GL, LR, DNV, NK,RINA, KR,IRS
Warranty	12 Months unless specified otherwise	Origin	China

CONTENTS	■ China Marine Pneumatic Angle Quick Closing Valve GB/T5744-2008 Type BQ/BQS:	■ Technical Specification:
	■ Main Material:	■ Main Size List(mm):

China Marine Pneumatic Angle Quick Closing Valve GB/T5744-2008 Type BQ/BQS:



Quick Closing Valve for Marine Use GB/T5744-2008 is mainly used on the marine oil pipe system to shut off the oil flow quickly. It can be manual or pneumatic.

Technical Specification:

Design Standard: GB/T5744-2008

Test Standard: GB600

Test Pressure: 0.3Mpa Air

Flange size as per GB2501, GB569

AS---Straight & Manual type with GB569 flange

ASS---Straight & Manual type with GB2501 flange

AQ---Straight & Pneumatic type with GB569 flange

AQS---Straight & Pneumatic type with GB2501 flange

BS---Angle & Manual type with GB569 flange

BSS---Angle & Manual type with GB2501 flange

BQ---Angle & Pneumatic type with GB569 flange

BQS---Angle & Pneumatic type with GB2501 flange

Nominal Pressure(Mpa)	Nominal Diameter(mm)	Applicable medium	Air Cylinder Working Pressure (Mpa)
0.25	20-150	fuel oil,lubrication oil and other oil.	0.3~0.7

Main Material:

Body-Cast Steel

Bonnet-Cast Steel

Disc-Carbon Steel

Stem-Stainless Steel

Piston-Brass

Air Cylinder--Bronze or Brass

Main Size List(mm):

Flange as per GB569

D N (m m)	Structure Dimension				Thick ness δ	Flange					Bolt		hand wheel		Lift Ran ge m	cylinde r volum e V cm ³	Weight(kg)					
	L		H			L 1	L 2	D	D 1	D 2	b	d 0	n	Th			Do	S	A S	A Q	B S	B Q
	A	B	A	B																		
	S	S	S	S																		
	A	B	A	B																		
	Q	Q	Q	Q																		



20	150	95	240	320	143	44	6	95	68	48	11	13	4	M12	80	8	7	27	58	67	62	71
25	160	100	242	325	143	44	6	105	73	56	12	13	4	M12	80	8	9	27	66	75	68	77
32	180	105	245	330	143	44	6	115	83	64	13	15	6	M14	100	9	9	27	71	80	70	79
40	200	115	275	365	143	48	6	125	93	74	13	15	6	M14	120	11	12	27	101	110	96	105
50	230	125	283	381	143	49	7	135	103	84	13	15	6	M14	140	12	15	27	116	125	126	135
65	290	145	325	437	155	58	7	155	123	104	14	15	6	M14	140	12	19	58	187	200	167	180
80	310	155	350	466	155	58	7	170	133	118	14	15	8	M14	160	14	23	58	237	250	227	240
100	350	175	375	500	155	62	8	190	153	138	14	15	8	M14	180	14	30	58	318	330	278	290
125	400	200	400	540	155	68	9	215	183	164	14	15	1	M14	200	17	36	58	378	390	338	350
150	480	225	430	580	155	75	10	240	208	190	14	15	1	M14	225	19	45	58	478	490	388	400

Flange as per GB2501

DN (mm)	Structure Dimension						Thickness δ	Flange					Bolt		hand wheel		Lift Range mm	cylinder volume V cm ³	Weight(kg)			
	L		H		L1	L2		D	D1	D2	b	d0	n	Th	Do	S			AS	AQ	BS	BQ
	A	B	A	B																		
20	150	95	240	320	143	44	6	90	65	50	14	11	4	M10	80	8	7	27	68	76	72	80
25	160	100	242	325	143	44	6	100	75	60	14	11	4	M10	80	8	9	27	76	84	80	88

32	18 0	10 5	24 5	33 0	1 4 3	4 4	6	1 2 0	9 0	7 0	1 6	1 4	4	M 12	10 0	9	9	27	9. 2	10 .0	9. 0	9. 8
40	20 0	11 5	27 5	36 5	1 4 3	4 8	6	1 3 0	1 0 0	8 0	1 6	1 4	4	M 12	12 0	1 1	12	27	12 .2	13 .0	11 .8	12 .6
50	23 0	12 5	28 3	38 1	1 4 3	4 9	7	1 4 0	11 0	9 0	1 6	1 4	4	M 12	14 0	1 2	15	27	14 .9	15 .7	15 .9	16 .7
65	29 0	14 5	32 5	43 7	1 5 5	5 8	7	1 6 0	1 3 0	11 0	1 6	1 4	4	M 12	14 0	1 2	19	58	21 .5	22 .7	19 .5	20 .7
80	31 0	15 5	35 0	46 6	1 5 5	5 8	7	1 9 0	1 5 0	1 2 8	1 8	1 8	4	M 16	16 0	1 4	23	58	25 .8	27 .0	24 .8	26 .0
10	35 0	17 5	37 5	50 0	1 5 5	6 2	8	2 1 0	1 7 0	1 4 8	1 8	1 8	4	M 16	18 0	1 4	30	58	38 .8	40 .0	34 .8	36 .0
12	40 5	20 0	40 0	54 0	1 5 5	6 8	9	2 4 0	2 0 0	1 7 8	2 0	1 8	8	M 16	20 0	1 7	36	58	46 .3	47 .5	42 .3	43 .5
15	48 0	22 5	43 0	58 0	1 5 5	7 5	10	2 6 5	2 2 5	2 0 2	2 0	1 8	8	M 16	22 5	1 9	45	58	59 .8	61 .0	50 .8	52 .0