

Jinbo Marine

Marine & Offshore Equipment Datasheet

PRODUCT DATASHEET

MARINE WINCH

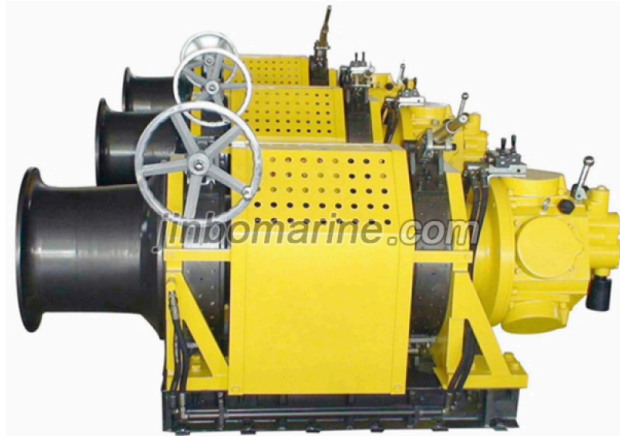
Marine Pneumatic Mooring Winch

Product model: QJH150PACAMB-25-150 Product Features: This product is suitable for ship mooring, lifting and pulling heavy objects in offshore platforms and engineering fields. The main technical ...

ISO9001 Supplier

Class Certificate

Export Supply



Key Highlights

Category	Marine Winch
Standard	DIN
Weight / Size	Technical parameters Model QJH150PACAMB-25-150 Work pressure 0.6-0.9Mpa ...
Certificate	ABS, LR, BV, DNVGL, NK, KR, IRS, RMRS, CCS

We can supply according to your requirement, drawings, class certificate needs, and delivery schedule.

Technical Specifications

Category	Marine Winch	Model / SKU	Marine-Pneumatic-Mooring-Winch
Standard	DIN	Weight / Size	Technical parameters Model QJH150PACAMB-25-150 Work pressure 0.6-0.9Mpa Rated tension 150KN Retracting and unwinding speed 6m/min Wire rope diameter 25mm Reel rope capacity 150m Dimensions 2178*970*1168mm Winch weight 2600kg Outline drawing Remarks:
Certificate	ABS, LR, BV, DNVGL, NK, KR, IRS, RMRS, CCS	Warranty	12 Months unless specified otherwise
Origin	China		

CONTENTS

- Product model: QJH150PACAMB-25-150
- Technical parameters
- Product Features:
- Outline drawing

Product model: QJH150PACAMB-25-150

Product Features:

This product is suitable for ship mooring, lifting and pulling heavy objects in offshore platforms and engineering fields.

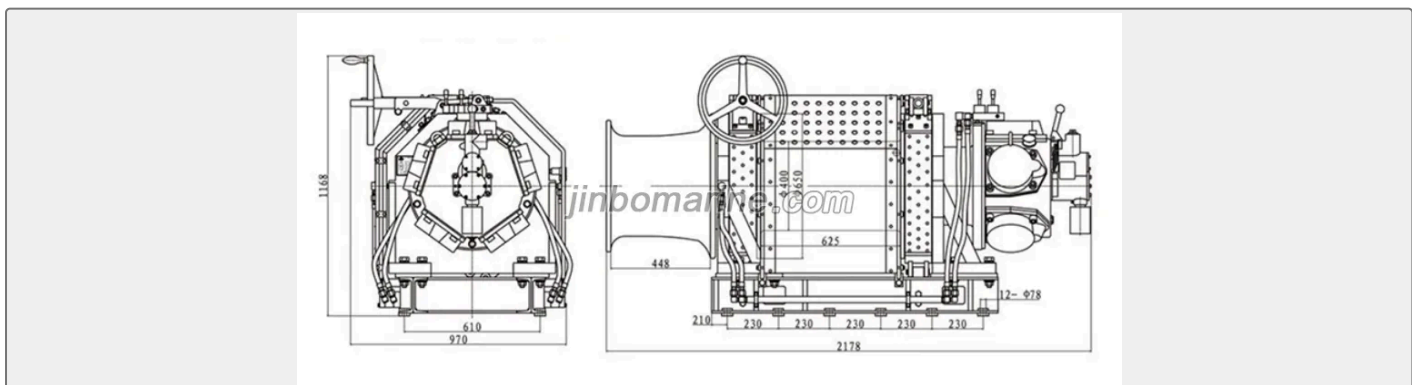
The main technical features are as follows:

- Manual brake:** During the use of the winch, the brake system is equipped with a hand-pressed brake and a hand-cranked brake.
- Convenient operation:** The winch control valve and air motor are combined design, only one control handle can control the speed, forward and reverse rotation of the winch at the same time.
- Pneumatic clutch device:** By operating the hand-pull valve, several operating states such as separate, synchronous, and complete disengagement of the drum and the anchor rope reel can be controlled.

Technical parameters

Model	QJH150PACAMB-25-150
Work pressure	0.6-0.9Mpa
Rated tension	150KN
Retracting and unwinding speed	6m/min
Wire rope diameter	25mm
Reel rope capacity	150m
Dimensions	2178*970*1168mm
Winch weight	2600kg

Outline drawing



Remarks: This series of pneumatic winches can be customized according to the actual needs of customers.