

MARINE PRESSURE GAUGE

Marine Pressure Gauge YC series

Marine Pressure gauge YC series is used for the marine vessels and related equipment, in addition to a general pressure gauge performance, but also has a good seismic performance, especially for marine conditions un...

- ISO9001 Supplier
- Class Certificate
- Export Supply



Key Highlights

Category	Marine Pressure Gauge
Standard	DIN
Material	iron alloy, aluminum alloy, stainless steel, copper alloy
Certificate	Mill certificate

We can supply according to your requirement, drawings, class certificate needs, and delivery schedule.

Technical Specifications

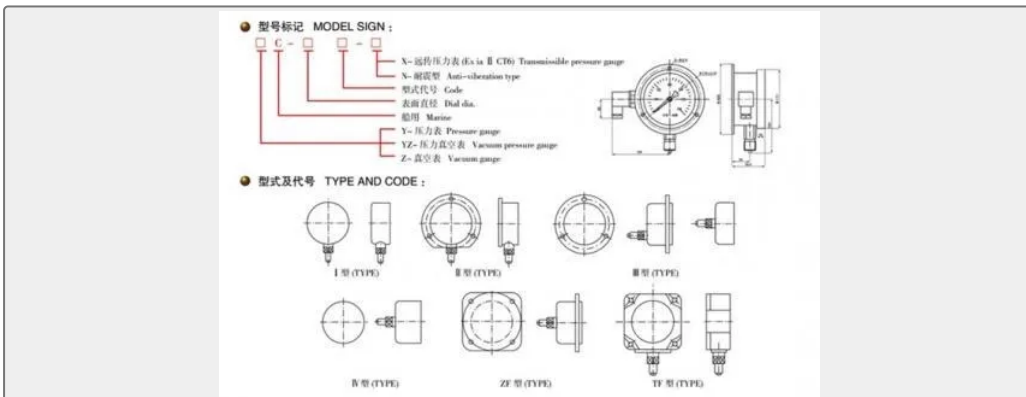
Category	Marine Pressure Gauge	Model / SKU	Marine-Pressure-Gauge-YC-series
Standard	DIN	Material	iron alloy, aluminum alloy, stainless steel, copper alloy
Certificate	Mill certificate	Warranty	12 Months unless specified otherwise
Origin	China		

CONTENTS

- China Marine Pressure Gauge YC series:
 - Specification:
 - Structure Principle:



China Marine Pressure Gauge YC series:



Marine Pressure gauge YC series is used for the marine vessels and related equipment, in addition to a general pressure gauge performance, but also has a good seismic performance, especially for marine conditions under mechanical vibration, measure the pressure of the gas, liquid that does not corrode the copper alloy, without crystallization, without precipitation. The dial main scale and the tip are coated with a permanent luminous pointer agent.

Structure Principle:

YC series marine pressure gauge consists of pressure systems (including joints, spring tube, etc.), the transmission mechanism, indicating devices and enclosure components.

When the measured medium acts on the spring tube, the pipe ends produce the corresponding elastic deformation - displacement. The deformation - displacement is amplified after transmission and is shown on the dial of the measured pressure by the indicating device.



0.048346s

Specification:

Dial Diameter(mm) : 60,75,100,150 ;

Measurement Range (Mpa): 0.1, 0.16, 0.25, 0.4, 0.6, 1, 1.6, 2.5, 4, 6, 10, 16, 25, 40, 60 -0.10~0, -0.1~-0.06, -0.1~-0.15, -0.1~-0.3, -0.1~-0.5, -0.1~-0.9, -0.1~-1.5, -0.1~-2.4

Accuracy : 2.5,1.6,1.0

Connection Thread : M14×1.5,M10×1,M20×1.5,G1/2", G3/8"

Working Temperature:-40°C ~ 70°C

Case Material:iron alloy, aluminum alloy, stainless steel, copper alloy