

MARINE FIRE DAMPER

Marine Round Manual Fire Damper

Fire damper is intended for ventilation duct with fire requirement. When on fire, the temperature inside the duct reaches 70°C, fire damper will automatically close quickly to avoid fire spreading. According to the shape,...

- ISO9001 Supplier
- Class Certificate
- Export Supply



Key Highlights

Category	Marine Fire Damper
Standard	DIN
Material	Carbon Steel , Stainless Steel
Weight / Size	Main Size List(mm) : DN D D1 n L 80 135 116 4 320 100 155 136 6 125 180 1... 136 6 125 180 1...
Certificate	CCS, BV, ABS, GL, LR, DNV, NK,RINA, KR,IRS

We can supply according to your requirement, drawings, class certificate needs, and delivery schedule.

Technical Specifications

Category	Marine Fire Damper	Model / SKU	Marine-Round-Manual-Fire-Damper
Standard	DIN	Material	Carbon Steel , Stainless Steel
Weight / Size	Main Size List(mm) : DN D D1 n L 80 135 116 4 320 100 155 136 6 125 180 161 6 150 205 186 6 175 230 211 8 200 255 236 8 250 305 286 12 300 355 336 12 350 405 386 12 400 455 436 16 450 510 492 16 500 560 542 20 600 660 642 20 700 760 742 24 800 860 842 28 900 960 942 28 1000 1060 1042 32 L can be decided by the customer.	Certificate	CCS, BV, ABS, GL, LR, DNV, NK,RINA, KR,IRS
Warranty	12 Months unless specified otherwise	Origin	China

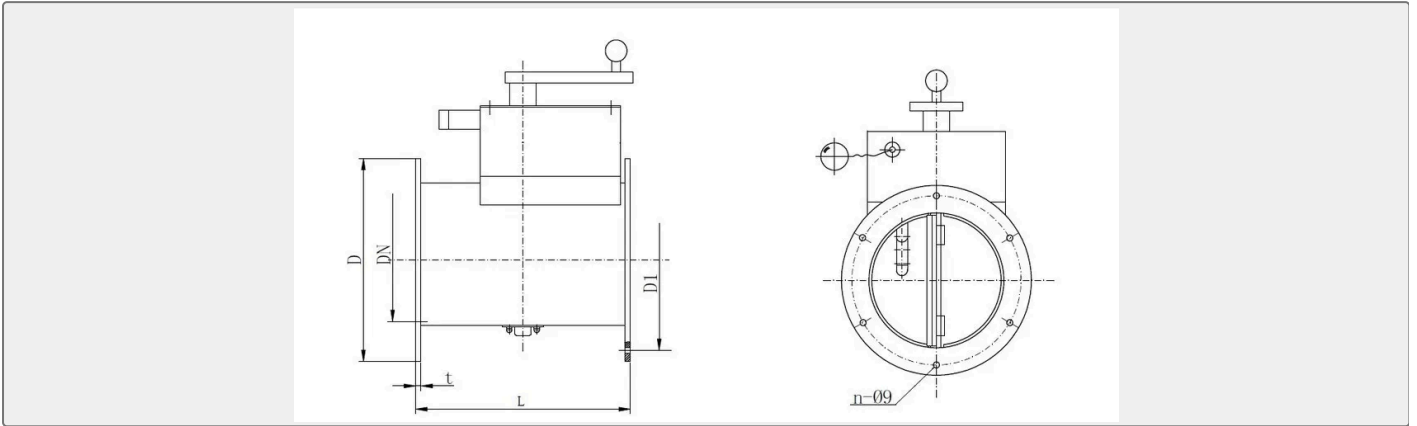


CONTENTS

■ China Marine Round Manual Fire Damper:

■ Main Functions & Features:

■ Main Size List(mm) :

China Marine Round Manual Fire Damper:

Fire damper is intended for ventilation duct with fire requirement. When on fire, the temperature inside the duct reaches 70°C, fire damper will automatically close quickly to avoid fire spreading. According to the shape, there are rectangular & round type. According to the control way, there are manual, electrical, pneumatic type. The blade can be single blade or multi-blades. The fireproof class can reach A60.

Design Standard: CB/T3557-1995

Material: Steel

Main Parts: manual actuator, temperature detector, damper body, damper plate, main shaft, flange, dragline.

Main Functions & Features:

- 1) The fire damper is opened under the normal situation.
- 2) When the temperature within the duct reaches 70 ± 3 °C, the temperature fuse is blown, the damper is closed automatically.
- 3) The fire damper can be closed by dragging the manual steel dragline, the dragline length is normally 1.5meter.
- 4) The damper needs to be reset manually.

Main Size List(mm) :

DN	D	D1	n	L
----	---	----	---	---

80	135	116	4	320
100	155	136	6	
125	180	161	6	
150	205	186	6	
175	230	211	8	
200	255	236	8	
250	305	286	12	
300	355	336	12	
350	405	386	12	
400	455	436	16	
450	510	492	16	
500	560	542	20	
600	660	642	20	
700	760	742	24	
800	860	842	28	
900	960	942	28	
1000	1060	1042	32	

L can be decided by the customer.