

# Jinbo Marine

Marine &amp; Offshore Equipment Datasheet

PRODUCT DATASHEET

## JIS MARINE STRAINER & FILTER

# Marine Sea Water Strainer JIS F7121 S Type (DN125-DN400)

ISO9001 Supplier

Class Certificate

Export Supply

Marine Sea Water Strainer JIS F7121 also can be called as marine can water filter(strainer) or marine basket water filter(strainer). Design Standard: JIS F7121-1996 Test Standard: JIS 7200-1996 Hydraulic...



### Key Highlights

Category	JIS Marine Strainer & Filter
Standard	JIS
Material	Cast Iron
Weight / Size	Body- 0.3Mpa Flange size as per JIS B2220 - 5K/10K Type:
Certificate	CCS, BV, ABS, GL, LR, DNV, NK,RINA, KR,IRS

We can supply according to your requirement, drawings, class certificate needs, and delivery schedule.

### Technical Specifications

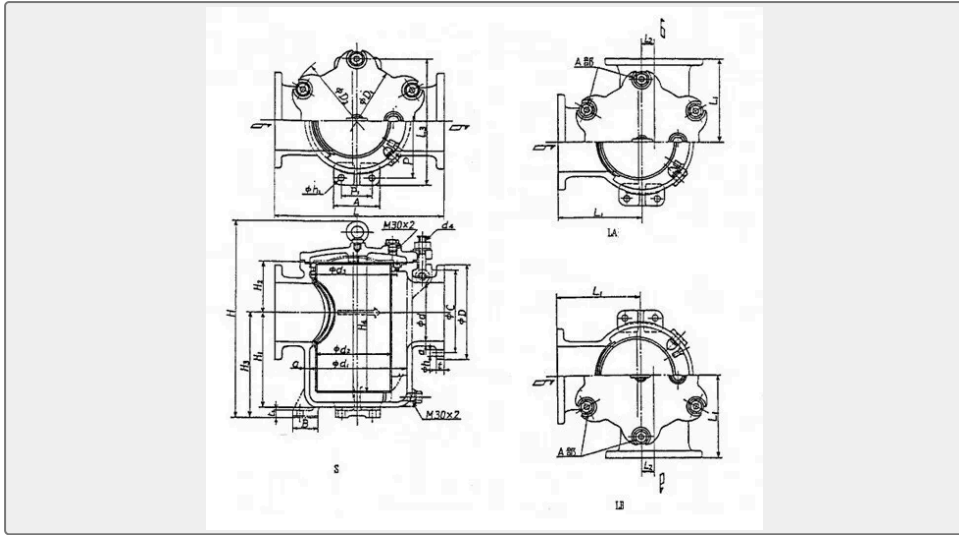
Category	JIS Marine Strainer & Filter	Model / SKU	Marine-Sea-Water-Strainer-JIS-F7121-S-Type-DN125-DN400
Standard	JIS	Material	Cast Iron
Weight / Size	Body- 0.3Mpa Flange size as per JIS B2220 - 5K/10K Type:	Certificate	CCS, BV, ABS, GL, LR, DNV, NK,RINA, KR,IRS
Warranty	12 Months unless specified otherwise	Origin	China

#### CONTENTS

- China Marine Sea Water Strainer JIS F7121 S Type (DN125-DN400):
- Main Size List(mm):
- Main Material:

 0.041823s

# China Marine Sea Water Strainer JIS F7121 S Type (DN125-DN400):



Marine Sea Water Strainer JIS F7121 also can be called as marine can water filter(strainer) or marine basket water filter(strainer).

Design Standard: JIS F7121-1996

Test Standard: JIS 7200-1996

Hydraulic Test Pressure: Body- 0.3Mpa

Flange size as per JIS B2220 - 5K/10K

Type: S, LA, LB

## Main Material:

Body: Cast Iron (FC200)

Bonnet: Cast Iron (FC200)

Strainer: Stainless Steel (SUS304)

Gasket: non-asbestos

Yoke: FCD450

Air Vent Plug: Brass

Drain Plug: Brass

## Main Size List(mm):

DN	d	L	L1	D	C	h	t	H
125	125	400	200	235	200	19	20	485
150	150	460	230	265	230	19	22	575
200	200	550	275	320	280	23	24	665
250	250	680	340	385	345	23	26	825
300	300	760	380	430	390	23	28	



350	350	820	410	480	435	25	30	1030
400	400	880	440	540	495	25	30	1135

\*The flange size in the list is according to 5K