

Jinbo Marine

Marine & Offshore Equipment Datasheet

PRODUCT DATASHEET

JIS MARINE STRAINER & FILTER

Marine Simplex Oil Strainer JIS F7209

Design Standard: JIS F7209-1996 Test Standard: JIS F7200-1996 Test Pressure: Body-0.74Mpa Flange size as per JIS B2220-5K or 10K *JIS F7209 has three types, S type, LA type & LB type. DN...

ISO9001 Supplier

Class Certificate

Export Supply



Key Highlights

Category	JIS Marine Strainer & Filter
Standard	JIS
Material	Cast Iron
Weight / Size	Body-0.74Mpa Flange size as per JIS B2220-5K or 10K *JIS F7209 has three...
Certificate	MILL CERTIFICATE

We can supply according to your requirement, drawings, class certificate needs, and delivery schedule.

Technical Specifications

Category	JIS Marine Strainer & Filter	Model / SKU	Marine-Simplex-Oil-Strainer-JIS-F7209
Standard	JIS	Material	Cast Iron
Weight / Size	Body-0.74Mpa Flange size as per JIS B2220-5K or 10K *JIS F7209 has three types, S type, LA type & LB type.	Certificate	MILL CERTIFICATE
Warranty	12 Months unless specified otherwise	Origin	China

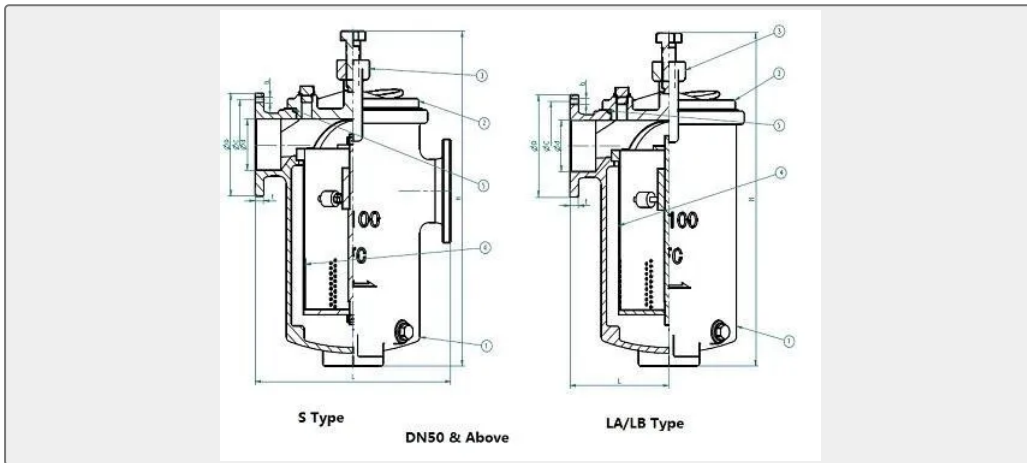
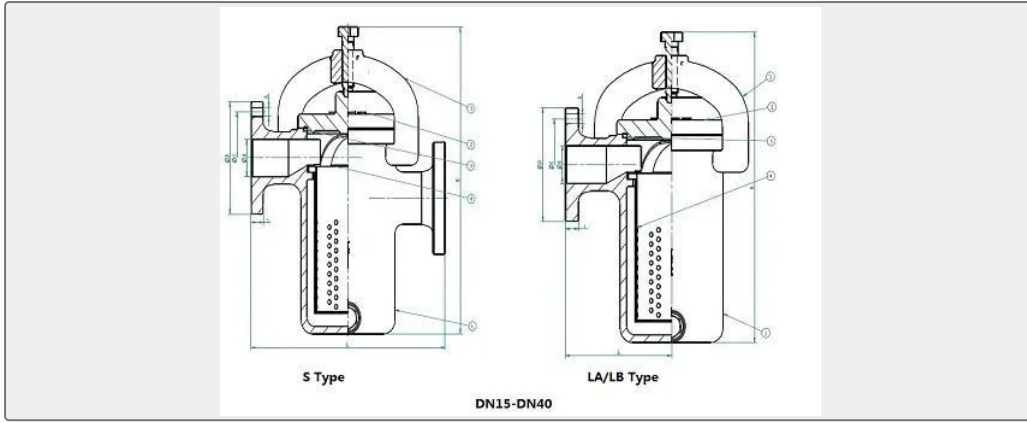
CONTENTS

- China Marine Simplex Oil Strainer JIS F7209:
- Main Size List(mm):

- Main Material:



China Marine Simplex Oil Strainer JIS F7209:



Design Standard: JIS F7209-1996

Test Standard: JIS F7200-1996

Test Pressure: Body-0.74Mpa

Flange size as per JIS B2220-5K or 10K

*JIS F7209 has three types, S type, LA type & LB type.

DN size can be from DN15 to DN400

Main Material:

Body:Cast Iron (FC200)

Bonnet:Cast Iron (FC200)

Yoke:Nodular Cast Iron (FCD450)

Strainer:Carbon Steel (SS400) or Stainless Steel (SUS304 or SUS316)

Plug:Brass

O-Ring: NBR

Main Size List(mm):

DN	d	L	L (LA/LB)	D	C	No of Bolt Hole	h	t	H
----	---	---	-----------	---	---	-----------------	---	---	---



5K20	25	190	85	65	4	12	14	240	
5K25	25	190	95	95	75	4	12	14	240
10K25	25	190	95	125	90	4	19	16	240
5K32	32	260	130	115	90	4	15	18	328
10K32	32	260	130	135	100	4	19	20	328
5K40	40	260	130	120	95	4	15	16	328
10K40	40	260	130	140	105	4	19	20	328
5K50	50	280	140	130	105	4	15	16	405
10K50	50	280	140	155	120	4	19	20	405
5K65	65	340	170	155	130	4	15	18	495
10K65	65	340	170	175	140	4	19	22	495
5K80	80	370	185	180	145	4	19	18	525
10K80	80	370	185	185	150	8	19	22	525
5K100	100	420	210	200	165	8	19	20	651
10K100	100	420	210	210	175	8	19	24	651