

Jinbo Marine

Marine & Offshore Equipment Datasheet

PRODUCT DATASHEET

ELECTRICAL CONNECTORS

Marine Socket & Switch(Z-1M,Z-2M,Z-2MA)

Type Z-1M International code 792806 Voltage ...

ISO9001 Supplier

Class Certificate

Export Supply



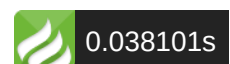
Key Highlights

Category	Electrical Connectors
Standard	EN
Material	Synthetic resin
Certificate	ABS, LR, BV, DNVGL, NK, KR, IRS, RMRS, CCS

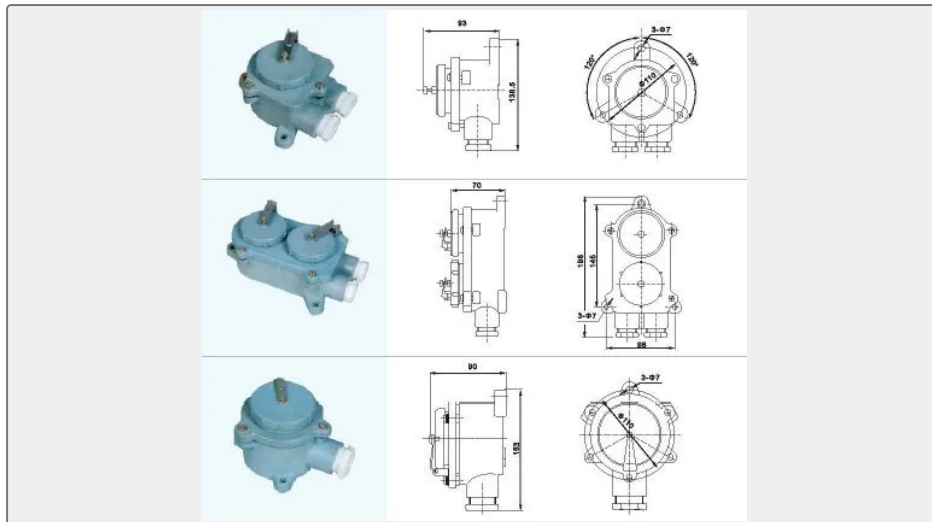
We can supply according to your requirement, drawings, class certificate needs, and delivery schedule.

Technical Specifications

Category	Electrical Connectors	Model / SKU	Marine-Socket-Switch-Z-1M-Z-2M-Z-2MA
Standard	EN	Material	Synthetic resin
Certificate	ABS, LR, BV, DNVGL, NK, KR, IRS, RMRS, CCS	Warranty	12 Months unless specified otherwise
Origin	China		



China Marine Socket & Switch(Z-1M,Z-2M,Z-2MA):



Type	Z-1M
International code	792806
Voltage	2P+E250V
Current	20A

Type	Z-2M
International code	792831
Voltage	(2P+E)X2 250V
Current	15A

Type	T-2MA
International code	792807
Voltage	3P+E 250V
Current	15A