

Jinbo Marine

Marine & Offshore Equipment Datasheet

PRODUCT DATASHEET

ELECTRICAL CONNECTORS

Marine Socket & Switch(Z-M,CZXS,KZ-S2MR)

Type Z-M International code Voltage ...

ISO9001 Supplier

Class Certificate

Export Supply



Key Highlights

Category	Electrical Connectors
Standard	EN
Material	Synthetic resin
Certificate	ABS, LR, BV, DNVGL, NK, KR, IRS, RMRS, CCS

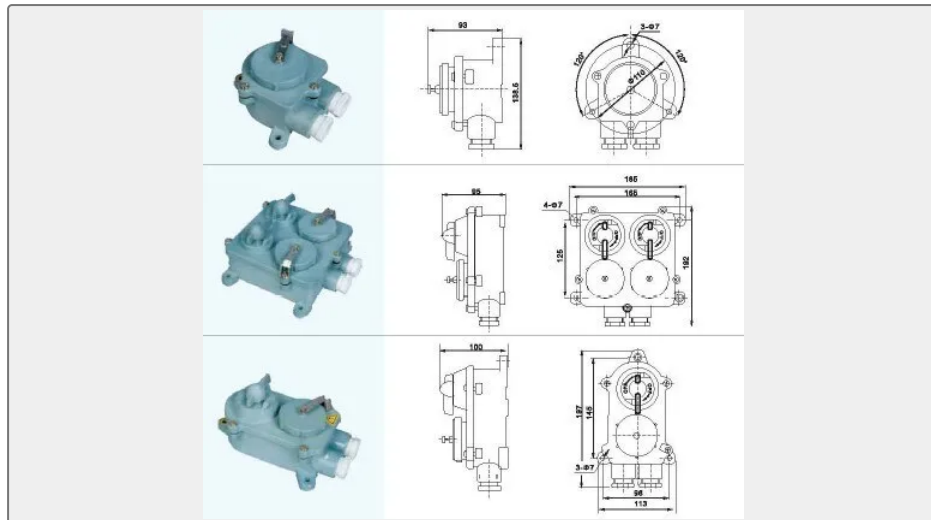
We can supply according to your requirement, drawings, class certificate needs, and delivery schedule.

Technical Specifications

Category	Electrical Connectors	Model / SKU	Marine-Socket-Switch-Z-M-CZXS-KZ-S2MR
Standard	EN	Material	Synthetic resin
Certificate	ABS, LR, BV, DNVGL, NK, KR, IRS, RMRS, CCS	Warranty	12 Months unless specified otherwise
Origin	China		



China Marine Socket & Switch(Z-M,CZXS,KZ-S2MR):



Type	Z-M
International code	
Voltage	24V
Current	10A

Type	CZXS
International code	792832
Voltage	250V
Current	20A

Type	KZ-S2MR
International code	792808
Voltage	250V
Current	10A