

Jinbo Marine

Marine & Offshore Equipment Datasheet

PRODUCT DATASHEET

MARINE WINDOW

Marine Steel Fixed Window

Standard: CB/T3226-1995 It is installed in the wheel houses, bridges, enclosed spaces which is used for observation and operation of various types of ships and marine structures. 1.Types of non-opening...

ISO9001 Supplier

Class Certificate

Export Supply



Key Highlights

Category	Marine Window
Standard	ISO
Material	Steel
Weight / Size	WH--Welded fixed rectangular window with an electric heated glass pane W...
Certificate	CCS, BV, ABS, GL, LR, DNV, NK,RINA, KR,IRS

We can supply according to your requirement, drawings, class certificate needs, and delivery schedule.

Technical Specifications

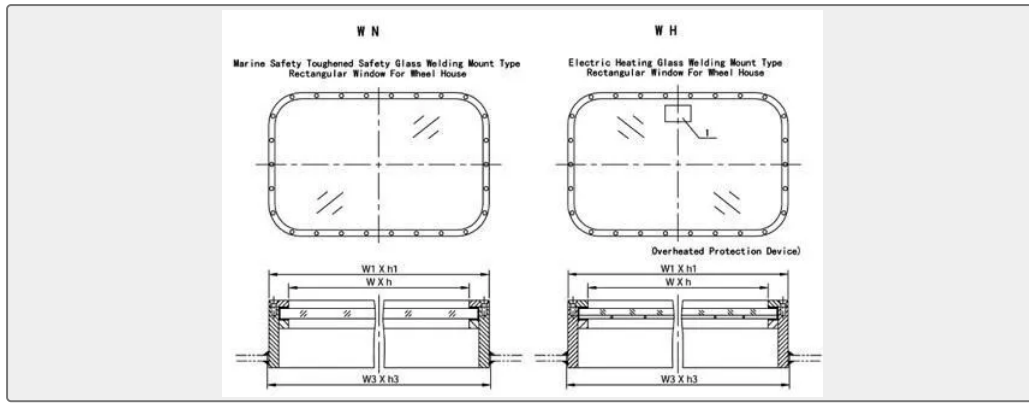
Category	Marine Window	Model / SKU	Marine-Steel-Fixed-Window
Standard	ISO	Material	Steel
Weight / Size	WH--Welded fixed rectangular window with an electric heated glass pane WN-Welded fixed rectangular window with a toughened glass pane 2.Main Size List(mm):	Certificate	CCS, BV, ABS, GL, LR, DNV, NK,RINA, KR,IRS
Warranty	12 Months unless specified otherwise	Origin	China

CONTENTS

- China Marine Steel Fixed Window:
- 2.Main Size List(mm):
- 1.Types of non-opening windows:
- 3.Mounting of the heated glass pane for fixed rectangular window for wheel house should conform to the requirements of ISO3434, power loading and parameters necessary for the glass pane as below.



China Marine Steel Fixed Window:



Standard: CB/T3226-1995

It is installed in the wheel houses, bridges, enclosed spaces which is used for observation and operation of various types of ships and marine structures.

1.Types of non-opening windows:

WH--Welded fixed rectangular window with an electric heated glass pane

WN-Welded fixed rectangular window with a toughened glass pane

2.Main Size List(mm):

Nominal Size	Frame		Size of opening		Glass Thickness		Weight (kgs)	
	W1XH1	W2XH2	W3XH3	r	WH	WN	WH	WN
800X630	848X678	930X760	852x682	126	12	15	41.3	41.8
800X710	848X758	930X840	852x762		12	15	44.2	44.8
900X630	948X678	1030X760	952x682		12	17	45.1	46.9
900X710	948X758	1030X840	952x762		12	17	48.5	50.5
900X800	948X848	1030X930	952x852		12	17	52.4	54.6
1200X630	1248X378	1330X760	1252x682		15	20	60.9	63.3
1200X710	1248X758	1330X840	1252x762		15	20	66.6	69.2
1200X800	1248X848	1330X930	1252x852		15	20	72.2	75.2
1500X710	1548X758	1630X840	1552x762		15	20	79.8	83.1
1500X800	1548X848	1630X930	1552x852		15	20	86.4	90.1
1800X710	1848X758	1930X840	1852x762		15	20	93.1	97.1
1800X800	1848X848	1930X930	1852x852		15	20	100.4	104.8
1800X900	1848X948	1930X1030	1852x952		15	20	108.6	113.6

*The size is in the list is just for reference, it is can be customized according to the actual situation of the vessel.



3. Mounting of the heated glass pane for fixed rectangular window for wheel house should conform to the requirements of ISO3434, power loading and parameters necessary for the glass pane as below.

Electrical Supply			Overheating protection device	Minimum power loading w/dw2		
Current	Voltage (V)	Frequency (HZ)		7	12	17
				Code		
DC	24	-	G	7G01	12G01	17G01
			S	7S01	12S01	17S01
	110	-	G	7G02	12G02	17G02
			S	7S02	12S02	17S02
	220	-	G	7G03	12G03	17G03
			S	7S03	12S03	17S03
G---group regulator, S---single regulator						