

Jinbo Marine

Marine & Offshore Equipment Datasheet

PRODUCT DATASHEET

MARINE CHAIR

Marine Steel Pilot Chair with Rail TR-003

ISO9001 Supplier

Class Certificate

Export Supply

Marine Steel Pilot Chair with Rail Model No. TR-003 Features: 1. Round steel pillar pedestal with air operated lifting system 2. Wire control guide rail type 3. Meet the ergonomics design

...



Key Highlights

Category	Marine Chair
Standard	DIN
Material	Steel & PU
Certificate	Mill certificate

We can supply according to your requirement, drawings, class certificate needs, and delivery schedule.

Technical Specifications

Category	Marine Chair	Model / SKU	Marine-Steel-Pilot-Chair-with-Rail
Standard	DIN	Material	Steel & PU
Certificate	Mill certificate	Warranty	12 Months unless specified otherwise
Origin	China		

CONTENTS

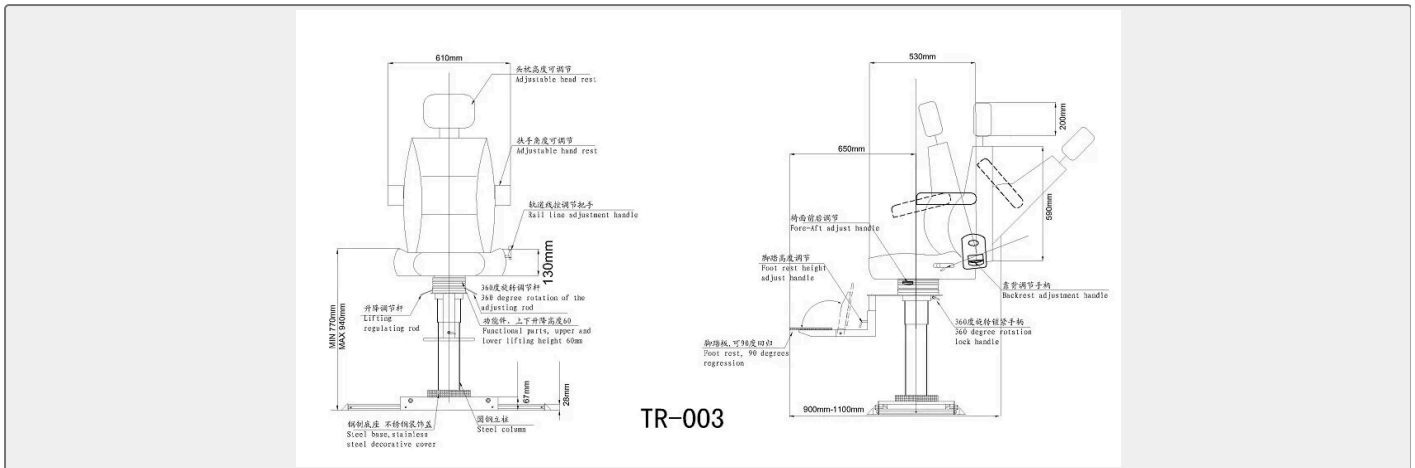
- China Marine Steel Pilot Chair with Rail TR-003:

- Features:

- Material:



China Marine Steel Pilot Chair with Rail TR-003:



Marine Steel Pilot Chair with Rail Model No. TR-003

Features:

1. Round steel pillar pedestal with air operated lifting system
2. Wire control guide rail type
3. Meet the ergonomics design
4. Seat movable on the strong slide way
5. Adjustable backrest and headrest
6. Seat height can be adjusted for angle
7. Movable seat forward and back
8. Foldable/angle adjustable comfort armrests
9. Swivel-mechanism 360,Multi-point positioning
10. Height adjustable/foldable footrest
11. Strong lifting column/Saltwater resistant/shock absorber in column

Material:

1. The slide guide rail and positioning base:steel. The Mosaic Bevel edge decorative: stainless steel material;
2. Mobile base, lifting columns: the steel and Stainless steel products .
3. Seat lifting tilted, and moved back and forth, back of a chair Angle adjustment :The steel structure;
4. The seat back and seat cushion :steel inner core and PU cold foaming sponge synthesis, covered by leather or cloth art;
5. Foot pedals :the steel inner core and Environmental rubber products synthesis;
6. Air pressure lifting core components and Gas Spring : German import Stabilus;
7. The chair face material is black high quality PU imitation leather, can also be Customized True Leather or fabric. Chair face shape and color Can be customized according to customer requirements;



Function data :

1. Upper part of the seat can be moved back and forth of 120mm, height adjustment 60mm, seat inclination angle range of $\pm 12^\circ$;
2. Seat backrest with adjustable angle of 85° - 150° , the headrest adjusted up and down 50mm, handrest multi-point positioning control;
3. The seat of pneumatic lifting regulating range 0-150mm ;
4. The seat can rotate 360° and locked , 4-point positioning control;
5. Seat rail slide in 0-6000mm mobile, 500mm rail width and depth 28mm
6. Seat pedal can rotate 90° and regression, upper and lower position adjusting range of 0-50mm;
7. Seat can bear more than 150FT.LB torsion, reached AD grade standard;

Standard Slide-style driving seat track length is 1.2 m, if need to lengthen, Can be customized according to customer requirements;