

## GB MARINE FIRE HYDRANT

## Marine Straight Fire Hydrant Valve GB/T2032-93 Type A/AS

ISO9001 Supplier

Class Certificate

Export Supply

Marine Flanged Fire Hydrant Valve GB/T2032-93 Type B/BS is the hose valve for fire-fighting system in the vessels, also called as marine fire valve. Technical Specification: Design Standard: GB/T2032-93, CBM...



### Key Highlights

Category	GB Marine Fire Hydrant
Standard	JIS
Material	Bronze or Brass
Weight / Size	GB600 Flange size as per GB569, GB2501.
Certificate	CCS, BV, ABS, GL, LR, DNV, NK,RINA, KR,IRS

We can supply according to your requirement, drawings, class certificate needs, and delivery schedule.

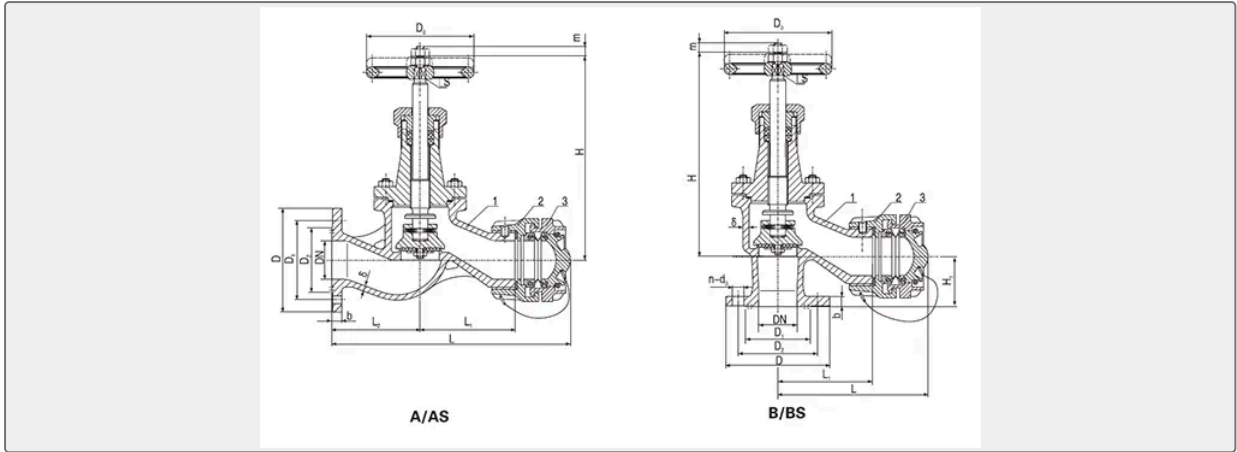
### Technical Specifications

Category	GB Marine Fire Hydrant	Model / SKU	Marine-Straight-Fire-Hydrant-Valve-GB-T2032-93-Type-A-AS
Standard	JIS	Material	Bronze or Brass
Weight / Size	GB600 Flange size as per GB569, GB2501.	Certificate	CCS, BV, ABS, GL, LR, DNV, NK,RINA, KR,IRS
Warranty	12 Months unless specified otherwise	Origin	China

#### CONTENTS

- China Marine Straight Fire Hydrant Valve GB/T2032-93 Type A/AS:
- Main Parts & Material:
- Technical Specification:
- Main Size List(mm):

# China Marine Straight Fire Hydrant Valve GB/T2032-93 Type A/AS:



Marine Flanged Fire Hydrant Valve GB/T2032-93 Type B/BS is the hose valve for fire-fighting system in the vessels, also called as marine fire valve.

## Technical Specification:

Design Standard: GB/T2032-93, CBM1107-82

Test Standard: GB600

Flange size as per GB569, GB2501. Also be as per JIS, DIN, ANSI, BS standard. The adaptor can be Chinese type, BS type, Storz Typa, ANSI type, Nakajima type.

Nominal Pressure (Mpa)	Nominal Diameter (mm)	Applicable Medium
1.0	40--65	Sea water, fresh water

## Main Parts & Material:

Body-Bronze or Brass

Bonnet-Bronze or Brass

Disc-Bronze or Brass

Stem-Bronze

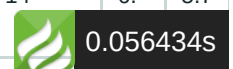
Seal Face-Bronze or Brass

Adaptor-Brass

## Main Size List(mm):

Type A/B (Flange as per GB569):

DN (m m)	Structure Dimension								Thickn ess δ	Flange					Bolt		hand wheel		Lift Range m	Weight(k g)	
	L		L1		H1		L2	H 2		D	D 1	D 2	d 0	b	n	Th.	Do	S		A	B
	A	B	A	B	A	B															
40	24	13	85	7	18	15	90	7	5	12	93	74	1	1	6	M1	12	11	14	6.	5.7



50	25 8	14 5	85	8 0	18 9	15 6	10 0	8 0	5	13 5	10 3	84	1 4	1 4	6	M1 4	12 0	11	16	7. 82	7.2 7
65	29 4	17 0	10 0	9 5	22 0	12 5	12 0	9 0	6	15 5	12 3	10 4	1 5	1 4	6	M1 4	14 0	12	20	9. 80	9.4 0

Type AS/BS (Flange as per GB2501):

DN (m m)	Structure Dimension									Thickn ess $\delta$	Flange					Bolt		hand wheel		Lift Range m	Weight(kg )		
	L		L1		H1		L2	H 2	D		D 1	D 2	b	d 0	n	Th .	Do	S				AS	BS
	A S	B S	A S	B S	A S	B S																AS	BS
40	22 5	13 0	80	6 5	18 1	15 4	80	6 5	5	15 0	11 0	88	1 6	1 8	4	M1 6	12 0	11	14	7.2 5	6.6 5		
50	23 8	14 5	85	7 5	18 9	15 6	85	7 5	5	16 5	12 5	10 2	1 7	1 8	4	M1 6	12 0	11	16	8.9 4	8.2 7		
65	28 4	17 0	10 0	9 5	22 0	19 0	11 0	9 0	6	18 5	14 5	12 2	1 7	1 8	4	M1 6	14 0	12	20	10. 70	10. 30		

The size when working pressure is 3Mpa

DN (mm )	Structure Dimension			Thickness $\delta$	Flange					Bolt		hand wheel		Lift Range m	Joint	Weight(k g)
	L	H1	H		D	D1	D2	d 0	b	n	Th.	Do	S			
40	62	90	326	5	12 5	93	74	1 5	1 4	6	M1 4	120	11	11	G1- 1/2	7.6
50	75	95	353	6	13 5	10 3	84	1 5	1 4	6	M1 4	140	11	14	G2	9.8
60	82	115	416	7	17 0	13 2	11 0	1 7	1 7	8	M1 6	160	12	18	G2- 1/2	12.6

A/AS-Straight Type

B/BS-Angle Type