

MARINE TEMPERATURE INSTRUMENT

# Marine Temperature Sensor WZPK Series

ISO9001 Supplier

Class Certificate

Export Supply

Marine Temperature Sensor WZPK Series is used to measure the temperature of liquid, gas, steam or solid materials in the field of marine, petroleum, chemical industry. The temperature-sensing element is platinum resistor...

### Key Highlights

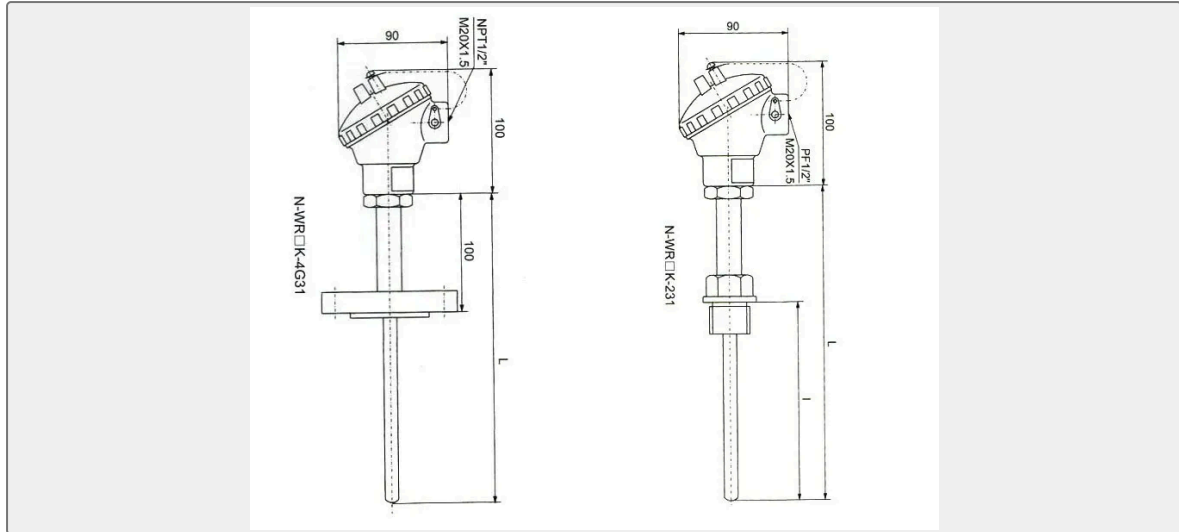
Category	Marine Temperature Instrument
Standard	EN
Material	Stainless Steel
Certificate	Mill certificate

We can supply according to your requirement, drawings, class certificate needs, and delivery schedule.

Technical Specifications			
<b>Category</b>	Marine Temperature Instrument	<b>Model / SKU</b>	Marine-Temperature-Sensor-WZPK-Series
<b>Standard</b>	EN	<b>Material</b>	Stainless Steel
<b>Certificate</b>	Mill certificate	<b>Warranty</b>	12 Months unless specified otherwise
<b>Origin</b>	China		

<b>CONTENTS</b>	<ul style="list-style-type: none"> <li>■ China Marine Temperature Sensor WZPK Series:</li> <li>■ Product Description:</li> <li>■ Model Design:</li> </ul>	<ul style="list-style-type: none"> <li>■ Specification:</li> <li>■ Main Technical Specification:</li> </ul>
-----------------	---	---

## China Marine Temperature Sensor WZPK Series:



**Marine Temperature Sensor WZPK Series** is used to measure the temperature of liquid, gas, steam or solid materials in the field of marine, petroleum, chemical industry. The temperature-sensing element is platinum resistor, with the features of high accuracy, stability, reliability, long working life.

### Specification:

Diameter: 12mm, 16mm

Supply Power: DC24V $\pm$ 10%

Measurement Range: -70°C

Graduation: PT100,PT1000

Protective Tube Material: SUS304, SS316

Nominal Pressure: 1.0Mpa

Output Signal: resistance value or 4~20mA

### Product Description:

WZPK-21R-C-E Type Temperature Transmitter adopt high quality platinum resistor as temperature sensing element, it features high measuring accuracy, steady and reliability, long lifetime. It has widely used to measure temperature of liquid, gas and steam in ship and other industrial equipment.

### Main Technical Specification:

Model	Temperature-sensing element	Measuring range	Protective cover		Nominal pressure	Output signal
			Material	Diameter		
WZPK	pt100 pt500 pt1000	-70~500 centigrade	SUS304 SUS316L single/double layer	12mm 16mm	1.0Mpa	Output resistance(2 wires,3 wires) Output DC 4~20mA(2 wires)

# Model Design:

**● 型号标记 MODEL SIGN**

W Z P K - □ □ - C - □ □

- S-附加现场显示型 Appending local indication
- E-本安型 B-隔爆型 D-附加Pt100输出
- E-Intrinsic safety B-Explosion proof housing D-Pt100 Outp
- 船用型 Marine
- 输出信号 Output signal
- 1-输出4-20mA 1-Output4-20mA
- R-Pt电阻值 R-Pt resistance
- 保护管型式 Thermowell type
- 2-φ16双保护管 Double thermowell
- 3-其他型式 Other types
- 安装固定型式 Mounting type
- 1-可动内螺纹接头 Movable female screw connector
- 2-可动外螺纹接头 Movable male screw connector
- 3-活动法兰式 Loose flange type
- 4-固定法兰式 Fixed flange type
- 铠装式 Armor type
- 铂电阻传感器 Pt resistance sensor
- 热电阻 Heat resistance
- 温度仪表 Temperature instrument

WZPK-221-C-E      WZPK-221-C-R

WZPK-21(RD)-C-D    WZPK-23R-C    WZPK-221-C-S