

Jinbo Marine

Marine & Offshore Equipment Datasheet

PRODUCT DATASHEET

MARINE TRANSFORMERS

Marine Transformer CSD

This series of transformer can be used in the ship, Marine and other places of lighting, electricity, communications and power grid. The normal working conditions and installation conditions 1. Height is n...

ISO9001 Supplier

Class Certificate

Export Supply



Key Highlights

Category	Marine Transformers
Standard	DIN
Material	15 ° or less Structural characteristics This series of transformer core ...
Weight / Size	Marine Transformer CSD Installation Size Marine Transformer CSD Technica...
Certificate	ABS, LR, BV, DNVGL, NK, KR, IRS, RMRS, CCS

We can supply according to your requirement, drawings, class certificate needs, and delivery schedule.



Technical Specifications			
Category	Marine Transformers	Model / SKU	Marine-Transformer-CSD
Standard	DIN	Material	15 ° or less Structural characteristics This series of transformer core is heart type structure, with high quality cold rolling steel sheet pile into the system, the windings can be firmly fixed, and the seismic performance is strong.
Weight / Size	Marine Transformer CSD Installation Size Marine Transformer CSD Technical Specifications Spec Capacity (kVA) Primary rated voltage(V) Voltage combination Link set label Overall dimensions Installation dimensions 50Hz 60Hz 50Hz 60Hz A B C C1 C2 CSD-5 5 400 450 400 230 115 400 230 115 Yy0 Yy11 Dd0 550 330 580 260 190 CSD-10 10 620 510 630 330 190 CSD-16 16 700 450 680 330 310 CSD-20 20 700 450 680 380 315 CSD-25 25 750 450 690 380 315 CSD-30 30 750 450 690 380 315 CSD-40 40 800 450 715 565 315 CSD-50 50 850 500 780 540 390 CSD-63 63 900 500 870 540 390 CSD-80 80 950 550 920 550 435 CSD-100 100 1050 600 970 550 490	Certificate	ABS, LR, BV, DNVGL, NK, KR, IRS, RMRS, CCS
Warranty	12 Months unless specified otherwise	Origin	China

CONTENTS	■ China Marine Transformer CSD:	■ Structural characteristics
	■ Marine Transformer CSD Installation Size	■ Marine Transformer CSD Technical Specifications

China Marine Transformer CSD:

This series of transformer can be used in the ship, Marine and other places of lighting, electricity, communications and power grid.

The normal working conditions and installation conditions

1. Height is not more than 2000 meters above sea level
2. The temperature of the air around:



Not more than + 40 degrees

24 hours on average value not more than +35

Lower limit of no less than -5 degrees

3. Air relative humidity is not greater than 90%

4. Environment air, does not contain a corrosive action on metals, and damage the insulation gas or dust

5. In use, to prevent the bump and vibration, to prevent the erosion of water, rain, snow

6. The power supply voltage waveform similar to sine wave

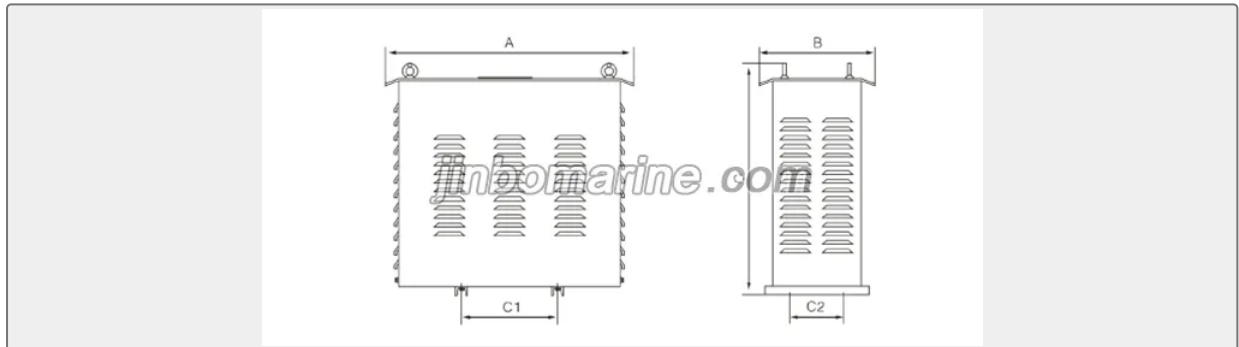
7. The swing Angle: 22.5 ° or less

8. Angle: 15 ° or less

Structural characteristics

This series of transformer core is heart type structure, with high quality cold rolling steel sheet pile into the system, the windings can be firmly fixed, and the seismic performance is strong. Coil is enameled wire winding and become, the insulation class is B. Transformer box made of high qualified steel plate, the structure not only fully consider the air circulation, and can effectively prevent water and prevent the rats and mice and other small animals into the box, box body protection grade for IP22.

Marine Transformer CSD Installation Size



Marine Transformer CSD Technical Specifications

Spec	Capacity (kVA)	Primary rated voltage(V)		Voltage combination		Link set label	Overall dimensions			Installation dimensions	
		50Hz	60Hz	50Hz	60Hz		A	B	C	C1	C2

CSD-5	5	400	450	400 230 115	400 230 115	Yy0 Yy11 Dd0	550	33 0	58 0	260	190
CSD-10	10						620	51 0	63 0	330	190
CSD-16	16						700	45 0	68 0	330	310
CSD-20	20						700	45 0	68 0	380	315
CSD-25	25						750	45 0	69 0	380	315
CSD-30	30						750	45 0	69 0	380	315
CSD-40	40						800	45 0	71 5	565	315
CSD-50	50						850	50 0	78 0	540	390
CSD-63	63						900	50 0	87 0	540	390
CSD-80	80						950	55 0	92 0	550	435
CSD-100	100						1050	60 0	97 0	550	490