

Jinbo Marine

Marine & Offshore Equipment Datasheet

PRODUCT DATASHEET

JIS MARINE BUTTERFLY VALVE

Marine Wafer Butterfly Valve with Worm Gear JIS F7480

ISO9001 Supplier

Class Certificate

Export Supply

Design Standard: JIS F7480-1996 Size: DN40-DN1200 Max Working Pressure: 5K/10K/16K
 Top Flange: ISO5211 Operation Type: Lever or Worm Gear Main Material: 1-Body: Cast Iron,
 Ducti...



Key Highlights

Category	JIS Marine Butterfly Valve
Standard	JIS
Material	Cast Iron, Cast Steel, Ductile Iron
Weight / Size	JIS F7480-1996 Size:
Certificate	CCS, BV, ABS, GL, LR, DNV, NK,RINA, KR,IRS

We can supply according to your requirement, drawings, class certificate needs, and delivery schedule.

Technical Specifications

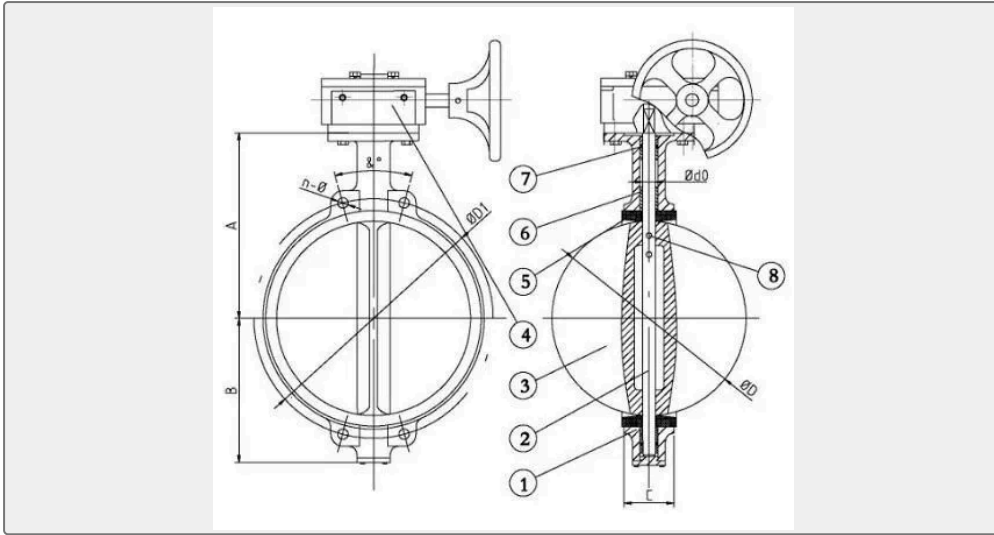
Category	JIS Marine Butterfly Valve	Model / SKU	Marine-Wafer-Butterfly-Valve-with-Worm-Gear-JIS-F7480
Standard	JIS	Material	Cast Iron, Cast Steel, Ductile Iron
Weight / Size	JIS F7480-1996 Size:	Certificate	CCS, BV, ABS, GL, LR, DNV, NK,RINA, KR,IRS
Warranty	12 Months unless specified otherwise	Origin	China

CONTENTS

- China Marine Wafer Butterfly Valve with Worm Gear JIS F7480:
- The Service Temperature for Seat Material:
- Main Material:
- Main Size List(mm):


 0.041483s

China Marine Wafer Butterfly Valve with Worm Gear JIS F7480:



Design Standard: JIS F7480-1996

Size: DN40-DN1200

Max Working Pressure: 5K/10K/16K

Top Flange: ISO5211

Operation Type: Lever or Worm Gear

Main Material:

1-Body: Cast Iron, Ductile Iron or Cast Steel

2-Stem: Stainless Steel

3-Disc: DI or WCB with galv, Stainless Steel, Bronze

4-Gear: Ductile Iron

5-Seat: NBR, EPDM, CR, FKM, VITON, PTFE

6-Busing: PTFE

7-O ring: NBR

8-Pin: Stainless Steel

The Service Temperature for Seat Material:

Rubber Seat Material	Service Temperature range °C	Kind of Fluid
NBR	0-70	sea water, fresh water, bilge, ballast, liquefied gas, lubricating oil, fuel oil, cargo oil, hydraulic oil
CR	0-70	air
EPDM	0-120	sea water, fresh water, acid gas
FKM	0-90	cargo oil

Main Size List(mm):

Size	A	B	C	D	d0	K	E	4-d	L	D1	4-ø	B1
40	120	70	34	41.8	12.6	65	50	7	26	105	19	11
50	140	80	42	52.9	12.6	90	70	10	30	120	19	11
65	150	89	44.7	64.5	12.6	90	70	10	30	140	19	11
80	158	95	45.2	78.8	12.6	90	70	10	30	150	19	11
100	176	114	52	104	15.77	90	70	10	30	175	19	11
125	190	127	54.4	123.3	18.92	90	70	10	30	210	23	14
150	211	139	55.8	155.1	18.92	90	70	10	30	240	23	14
200	235	176	60.6	202.5	22.1	125	102	12	40	290	23	17
250	265	203	65.6	250.5	28.45	125	102	12	40	355	25	22
300	305	242	76.9	301.5	31.6	125	102	12	40	400	25	22

*The size is for 10K for your reference.