

Jinbo Marine

Marine & Offshore Equipment Datasheet

PRODUCT DATASHEET

CB MARINE PRESSURE REDUCING VALVE

Marine Water Pressure Reducing Valve CB/T624-1995

ISO9001 Supplier

Class Certificate

Export Supply

Marine Water Pressure Reducing Valve CB/T624-1995 is used on the marine fresh water or sea water pipe system to keep the outlet pressure stable. Flange can be manufactured as per GB569, GB2501, JIS,ANSI. Standard: ...



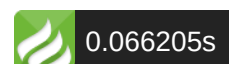
Key Highlights

Category	CB Marine Pressure Reducing Valve
Standard	JIS
Material	Bronze
Weight / Size	Body-ZCuSn5Pb5Zn5 Bonnet-ZG230-450 Disc-HSn62-1 Stem-QA19-2 Spring-60Si2...
Certificate	CCS, BV, ABS, GL,LR,DNV, KR, IRS, RINA

We can supply according to your requirement, drawings, class certificate needs, and delivery schedule.

Technical Specifications

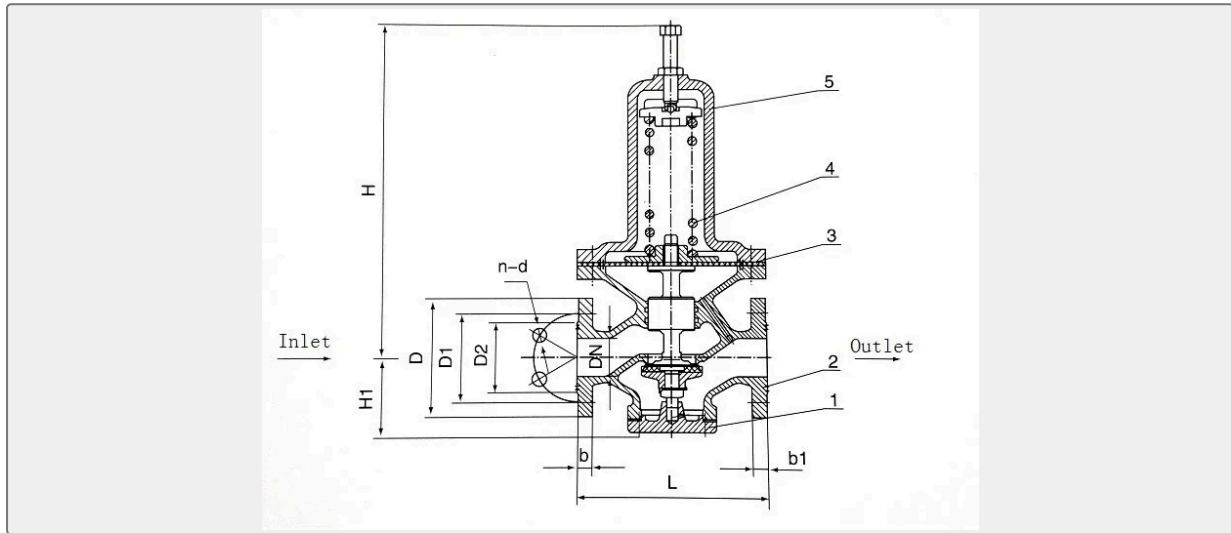
Category	CB Marine Pressure Reducing Valve	Model / SKU	Marine-Water-Pressure-Reducing-Valve-CB-T624-1995
Standard	JIS	Material	Bronze
Weight / Size	Body-ZCuSn5Pb5Zn5 Bonnet-ZG230-450 Disc-HSn62-1 Stem-QA19-2 Spring-60Si2MnA Type A Size List (Flange as per GB569):	Certificate	CCS, BV, ABS, GL,LR,DNV, KR, IRS, RINA
Warranty	12 Months unless specified otherwise	Origin	China



CONTENTS

- China Marine Water Pressure Reducing Valve CB/T624-1995:
- Nominal Diameter Max Flow Rate Omax Inlet Pressure P1 Outlet Pressure P2 mm m³/h Mpa Mpa 15 8 0.8~1.6 0.2~0.8 20 9 0.8~1.6 0.2~0.8 25 10 0.8~1.6 0.2~0.8 32 11 0.8~1.6 0.2~0.8 40 18 0.8~1.6 0.2~0.8 50 28 0.8~1.6 0.2~0.8 65 48 0.8~1.6 0.2~0.8 80 72 0.8~1.6 0.2~0.8
- Type A Size List (Flange as per GB569):
- Technical Data:
- Main Parts & Material:
- Type AS Size List (Flange as per GB2501):

China Marine Water Pressure Reducing Valve CB/T624-1995:



Marine Water Pressure Reducing Valve CB/T624-1995 is used on the marine fresh water or sea water pipe system to keep the outlet pressure stable. Flange can be manufactured as per GB569, GB2501, JIS,ANSI.

Standard: CB/T824-1995, CBM1079-81

Technical Data:

Nominal Diameter	Max Flow Rate Omax	Inlet Pressure P1	Outlet Pressure P2
mm	m3/h	Mpa	Mpa
15	8	0.8~1.6	0.2~0.8
20	9	0.8~1.6	0.2~0.8
25	10	0.8~1.6	0.2~0.8
32	11	0.8~1.6	0.2~0.8
40	18	0.8~1.6	0.2~0.8
50	28	0.8~1.6	0.2~0.8
65	48	0.8~1.6	0.2~0.8
80	72	0.8~1.6	0.2~0.8

Main Parts & Material:

Body-ZCuSn5Pb5Zn5

Bonnet-ZG230-450

Disc-HSn62-1

Stem-QA19-2

Spring-60Si2MnA

Type A Size List (Flange as per GB569):

nominal diameter	Structure Dimension			Thickness δ	Inlet flange					bolt		Outlet flange					bolt		weight (Kg)
	L	H	H1		D	D1	D2	d	b	n ↑	Th.	D3	D4	D5	d1	b1	n	Th.	
32	190	320	72	5	115	83	64	15	13	6	M14	115	83	64	15	13	6	M14	10.7
40	200	325	79	5	125	93	74	15	14	6	M14	125	93	74	15	14	6	M14	12.9
50	210	370	87	5	135	103	84	15	14	6	M14	135	103	84	15	14	6	M14	17.3
65	240	420	93	6	170	132	110	17	17	8	M16	155	123	104	15	14	6	M14	24.2
80	260	465	110	6	185	147	126	17	19	8	M16	170	138	118	15	14	8	M14	30.3

Type AS Size List (Flange as per GB2501):

nominal diameter	Structure Dimension			Thickness δ	Inlet flange					bolt		weight (Kg)
	L	H	H1		D	D1	D2	d	b	n	Th.	
32	190	320	72	5	140	100	78	18	15	4	M16	11.2
40	200	325	79	5	150	110	88	18	16	4	M16	13.4
50	210	370	87	5	165	125	102	18	17	4	M16	17.8
65	240	420	93	6	185	145	122	18	17	4	M16	24.7
80	260	465	110	6	200	160	133	18	19	8	M16	30.8