

Jinbo Marine

Marine & Offshore Equipment Datasheet

PRODUCT DATASHEET

ELECTRICAL CONNECTORS

Marine copper plug,socket(1142/MS, 1141,1141/R)

ISO9001 Supplier

Class Certificate

Export Supply

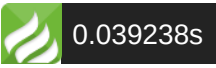
 Code 1142/MS General cable type CTH101-1 CTH101-2 ...



Key Highlights

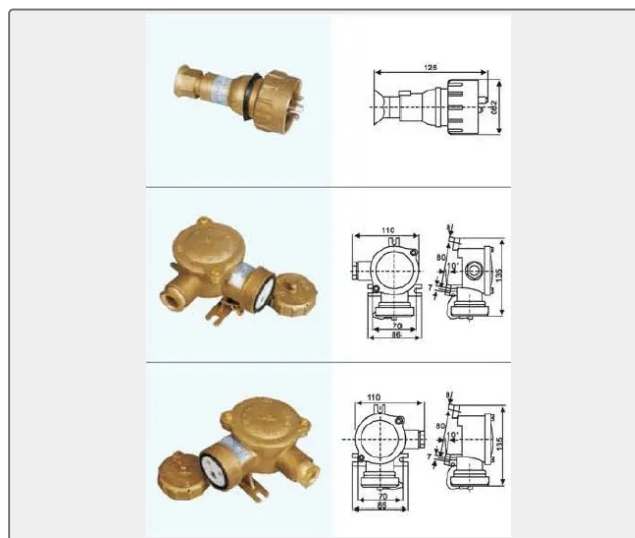
Category	Electrical Connectors
Standard	EN
Material	copper
Weight / Size	Code 1142/MS General cable type CTH101-1 CTH101-2 CTH101-3 CTH101-4 CT...
Certificate	ABS, LR, BV, DNVGL, NK, KR, IRS, RMRS, CCS

We can supply according to your requirement, drawings, class certificate needs, and delivery schedule.

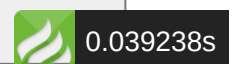


Technical Specifications			
Category	Electrical Connectors	Model / SKU	Marine-copper-plug-socket-1142-MS-1141-1141-R
Standard	EN	Material	copper
Weight / Size	Code 1142/MS General cable type CTH101-1 CTH101-2 CTH101-3 CTH101-4 CTH101-5 Shield cable type CTH111-1 CTH111-2 CTH111-3 CTH111-4 CTH111-5 Weight 0.56KG 0.57KG 0.57KG 0.57KG 0.58KG Code 1141 General cable type CZH101-1 CZH101-2 CZH101-3 CZH101-4 CZH101-5 Shield cable type CZH111-1 CZH111-2 CZH111-3 CZH111-4 CZH111-5 Weight 1.30KG 1.40KG 1.40KG 1.50KG 1.50KG Code 1141/R General cable type CZH109-1 CZH109-2 CZH109-3 CZH109-4 CZH109-5 Shield cable type CZH119-1 CZH119-2 CZH119-3 CZH119-4 CZH119-5 Weight 1.30KG 1.40KG 1.40KG 1.50KG 1.50KG	Certificate	ABS, LR, BV, DNVGL, NK, KR, IRS, RMRS, CCS
Warranty	12 Months unless specified otherwise	Origin	China

China Marine copper plug,socket(1142/MS, 1141,1141/R):



额定电压 Rating voltage	24V	110V	220V	380V/440V	380V/440V
防护等级 Protection class	IP56				
插销示意图 Plug pin diagram					
采用标准 Adopted standard	DIN89267/DIN89262				



Code 1142/MS					
General cable type	CTH101-1	CTH101-2	CTH101-3	CTH101-4	CTH101-5
Shield cable type	CTH111-1	CTH111-2	CTH111-3	CTH111-4	CTH111-5
Weight	0.56KG	0.57KG	0.57KG	0.57KG	0.58KG

Code 1141					
General cable type	CZH101-1	CZH101-2	CZH101-3	CZH101-4	CZH101-5
Shield cable type	CZH111-1	CZH111-2	CZH111-3	CZH111-4	CZH111-5
Weight	1.30KG	1.40KG	1.40KG	1.50KG	1.50KG

Code 1141/R					
General cable type	CZH109-1	CZH109-2	CZH109-3	CZH109-4	CZH109-5
Shield cable type	CZH119-1	CZH119-2	CZH119-3	CZH119-4	CZH119-5
Weight	1.30KG	1.40KG	1.40KG	1.50KG	1.50KG