

# Jinbo Marine

Marine &amp; Offshore Equipment Datasheet

PRODUCT DATASHEET

## ELECTRICAL CONNECTORS

## Marine copper switch(1133/3,1133/2D)

Rating Voltage 24V 110V 220V 380V/440V 380V/440V ...

ISO9001 Supplier

Class Certificate

Export Supply



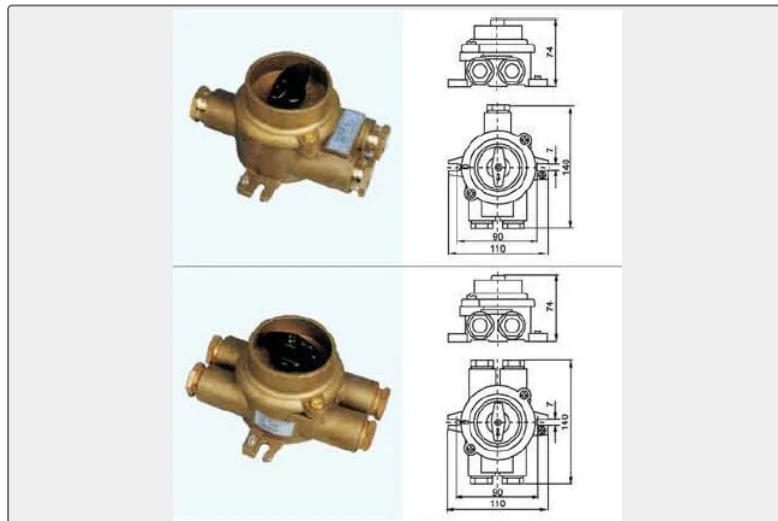
### Key Highlights

<b>Category</b>	Electrical Connectors
<b>Standard</b>	DIN
<b>Material</b>	copper
<b>Weight / Size</b>	Rating Voltage 24V 110V 220V 380V/440V 380V/440V Protection class IP56 A...
<b>Certificate</b>	ABS, LR, BV, DNVGL, NK, KR, IRS, RMRS, CCS

We can supply according to your requirement, drawings, class certificate needs, and delivery schedule.

Technical Specifications			
Category	Electrical Connectors	Model / SKU	Marine-copper-switch-1133-3-1133-2D
Standard	DIN	Material	copper
Weight / Size	Rating Voltage 24V 110V 220V 380V/440V 380V/440V Protection class IP56 Adopted standard DIN89270 Code 1133/3 General cable type HH302-1 HH302-2 HH302-3 HH302-4 HH302-5 Shield cable type HH312-1 HH312-2 HH312-3 HH312-4 HH312-5 Weight 1.1KG 1.1KG 1.1KG 1.1KG 1.1KG Code 1133/2D General cable type HH402-1 HH402-2 HH402-3 HH402-4 HH402-5 Shield cable type HH412-1 HH412-2 HH412-3 HH412-4 HH412-5 Weight 1.1KG 1.1KG 1.1KG 1.1KG	Certificate	ABS, LR, BV, DNVGL, NK, KR, IRS, RMRS, CCS
Warranty	12 Months unless specified otherwise	Origin	China

### China Marine copper switch(1133/3,1133/2D):



Rating Voltage	24V	110V	220V	380V/440V	380V/440V
Protection class	IP56				
Adopted standard	DIN89270				



Code 1133/3					
General cable type	HH302-1	HH302-2	HH302-3	HH302-4	HH302-5
Shield cable type	HH312-1	HH312-2	HH312-3	HH312-4	HH312-5
Weight	1.1KG	1.1KG	1.1KG	1.1KG	1.1KG

Code 1133/2D					
General cable type	HH402-1	HH402-2	HH402-3	HH402-4	HH402-5
Shield cable type	HH412-1	HH412-2	HH412-3	HH412-4	HH412-5
Weight	1.1KG	1.1KG	1.1KG	1.1KG	1.1KG