

# Jinbo Marine

Marine & Offshore Equipment Datasheet

PRODUCT DATASHEET

## MOORING EQUIPMENT ACCESSORIES

# Marine manual reversing proportional speed regulating compound valve CSBF

ISO9001 Supplier

Class Certificate

Export Supply

Introduction: The CSBF manual compound valve is three tubing crosses cross valve integrated with a safety valve and a diverter valve. The valve has the pressure compensation, current capacity, proportional cont...



### Key Highlights

<b>Category</b>	Mooring Equipment Accessories
<b>Standard</b>	EN
<b>Weight / Size</b>	Model Nominal diameter(mm) Nominal flow(l/min) Nominal pressure(Mpa) Sco...
<b>Certificate</b>	ABS, LR, BV, DNVGL, NK, KR, IRS, RMRS, CCS

We can supply according to your requirement, drawings, class certificate needs, and delivery schedule.



Technical Specifications			
<b>Category</b>	Mooring Equipment Accessories	<b>Model / SKU</b>	Marine-hydraulic-manual-reversing-proportional-speed-regulating-compound-valve-CSBF-valve
<b>Standard</b>	EN	<b>Weight / Size</b>	<p>Model Nominal diameter(mm)  Nominal flow(l/min) Nominal pressure(Mpa) Scope of safety value pressure(Mpa) Handle control force(N) Mid-position pully enginery CSBF - G20 20 120 25 5~25 ≤40 M O Y H K P CSBF - G25 25 200 CSBF - G32 32 300 CSBF - G40 40 450 CSBF - G50 50 700 Diameter Shape and connection size dn d x w l f e d h h1 h2 h3 h4 h5 h6 20 27.2 45.5 150 70 120 100 4-φ9 445 107 68 77 68 32 19 25 34.5 56 195 202 166 140 4-φ14 632 138 84 96 84 33 19 32 43.2 60.1 192 204 144 120 4-φ11 635 153 88 112 88 35 21 40 49.5 73 212 223 170 140 4-φ11 665 160 103 124 103 40 23 50 62 83.4 240 262 180 150 4-φ13 755 208 124 146 124 45 26</p> <p>Replacement notice When replacing the old marine CSBF manual compound valve, due to the corrosion of nameplate and other factors, it may be difficult to clearly determine the type .At this time, you can infer it by measuring the center distance of the pipeline mounting holes (as shown in the figure below).</p>
<b>Certificate</b>	ABS, LR, BV, DNVGL, NK, KR, IRS, RMRS, CCS	<b>Warranty</b>	12 Months unless specified otherwise
<b>Origin</b>	China		

**CONTENTS**

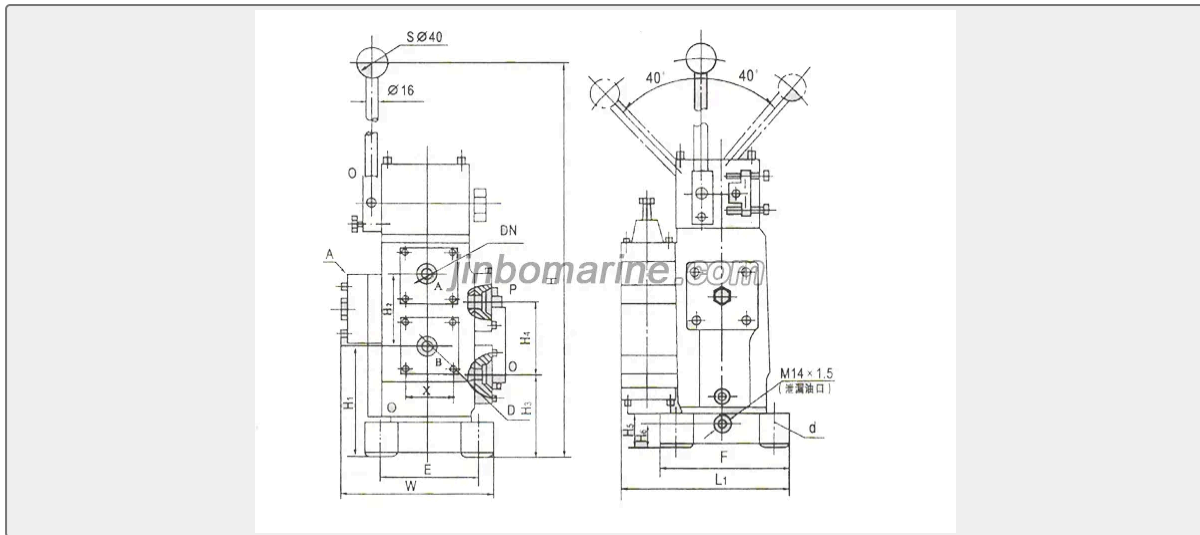
- Introduction:
- Replacement notice
- Technical Data:

## Introduction:

The **CSBF manual compound valve** is three tubing crosses cross valve integrated with a safety valve and a diverter valve. The valve has the pressure compensation, current capacity, proportional control and Safekeeping Security. The operation handle of the valve and the current capacity adjusting mechanism are working synchronously, and can carry on the limitless speed changing. This valve also has the good commutation velocity modulation performance, long life-span, controlling easily, reliable capacity, and widely used in the ships machinery and other kinds of mechanical hydraulic system.

## Technical Data:

Model	Nominal diameter(mm)	Nominal flow(l/min)	Nominal pressure(Mpa)	Scope of safety value pressure(Mpa)	Handle control force(N)	M i d - p o s i t i o n p u l l y e n g i n e r y
CSBF - G20	20	120	25	5~25	≤40	M O Y H K P
CSBF - G25	25	200				
CSBF - G32	32	300				
CSBF - G40	40	450				
CSBF - G50	50	700				



Diameter	Shape and connection size														
	dn	d	x	w	l	f	e	d	h	h <sub>1</sub>	h <sub>2</sub>	h <sub>3</sub>	h <sub>4</sub>	h <sub>5</sub>	h <sub>6</sub>
20	27.2	45.5	150	70	1 2 0	100	4-φ9	445	107	68	77	68	32	19	
25	34.5	56	195	202	1 6 6	140	4-φ14	632	138	84	96	84	33	19	
32	43.2	60.1	192	204	1 4 4	120	4-φ11	635	153	88	112	88	35	21	
40	49.5	73	212	223	1 7 0	140	4-φ11	665	160	103	124	103	40	23	
50	62	83.4	240	262	1 8 0	150	4-φ13	755	208	124	146	124	45	26	



## Replacement notice

When replacing the old marine CSBF manual compound valve, due to the corrosion of nameplate and other factors, it may be difficult to clearly determine the type .At this time, you can infer it by measuring the center distance of the pipeline mounting holes (as shown in the figure below).



