

Jinbo Marine

Marine & Offshore Equipment Datasheet

PRODUCT DATASHEET

ELECTRICAL CONNECTORS

Marine nylon switch 1156/1153/1155

&nbsp; Protection class IP56 Adopted Standard DIN89250 ...

ISO9001 Supplier

Class Certificate

Export Supply



Key Highlights

Category	Electrical Connectors
Standard	DIN
Material	Nylon
Weight / Size	Protection class IP56 Adopted Standard DIN89250 Code 1156/FS Type JX...
Certificate	ABS, LR, BV, DNVGL, NK, KR, IRS, RMRS, CCS

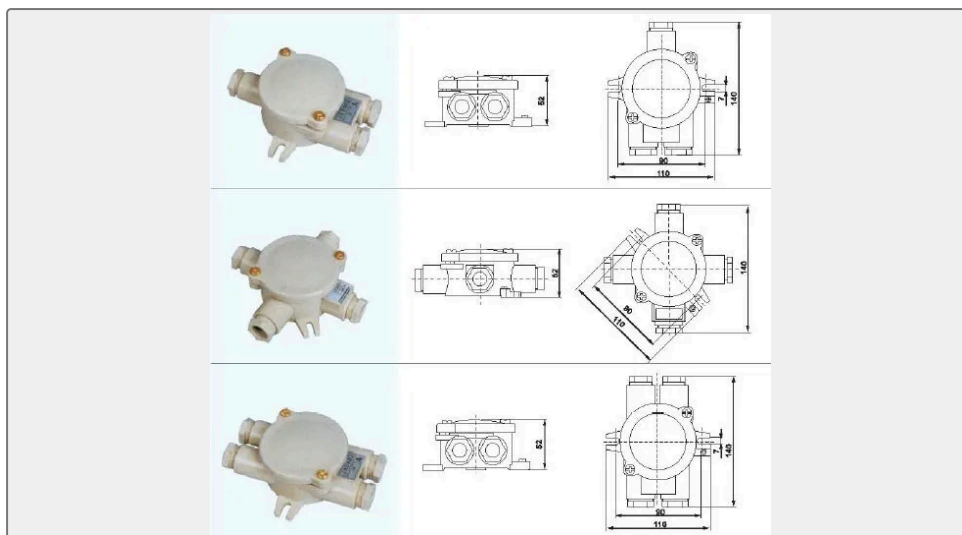
We can supply according to your requirement, drawings, class certificate needs, and delivery schedule.

Technical Specifications

Category	Electrical Connectors	Model / SKU	Marine-nylon-switch-1156-1153-1155
Standard	DIN	Material	Nylon
Weight / Size	Protection class IP56 Adopted Standard DIN89250 Code 1156/FS Type JXS302 Weight 0.21KG Code 1153/FS Type JXS401 Weight 0.22KG Code 1155/FS Type JXS402 Weight 0.22KG	Certificate	ABS, LR, BV, DNVGL, NK, KR, IRS, RMRS, CCS
Warranty	12 Months unless specified otherwise	Origin	China



China Marine nylon switch 1156/1153/1155:



Protection class	IP56
Adopted Standard	DIN89250

Code 1156/FS	
Type	JXS302
Weight	0.21KG

Code 1153/FS	
Type	JXS401
Weight	0.22KG

Code 1155/FS	
Type	JXS402
Weight	0.22KG