

ELECTRICAL CONNECTORS


Marine nylon switch1133/3/FS

Rating Voltage 24V 110V 220V 380V/440V 380V/440V ...

ISO9001 Supplier

Class Certificate

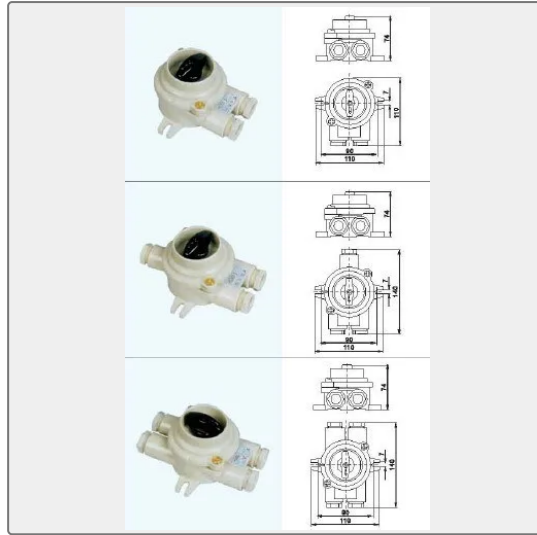
Export Supply

	<p>Key Highlights</p>									
	<table border="1"> <tr> <td>Category</td> <td>Electrical Connectors</td> </tr> <tr> <td>Standard</td> <td>DIN</td> </tr> <tr> <td>Material</td> <td>Nylon</td> </tr> <tr> <td>Weight / Size</td> <td>Rating Voltage 24V 110V 220V 380V/440V 380V/440V Protection class IP56 A...</td> </tr> <tr> <td>Certificate</td> <td>ABS, LR, BV, DNVGL, NK, KR, IRS, RMRS, CCS</td> </tr> </table> <p>We can supply according to your requirement, drawings, class certificate needs, and delivery schedule.</p>	Category	Electrical Connectors	Standard	DIN	Material	Nylon	Weight / Size	Rating Voltage 24V 110V 220V 380V/440V 380V/440V Protection class IP56 A...	Certificate
Category	Electrical Connectors									
Standard	DIN									
Material	Nylon									
Weight / Size	Rating Voltage 24V 110V 220V 380V/440V 380V/440V Protection class IP56 A...									
Certificate	ABS, LR, BV, DNVGL, NK, KR, IRS, RMRS, CCS									

Technical Specifications			
Category	Electrical Connectors	Model / SKU	Marine-nylon-switch1133-3-FS
Standard	DIN	Material	Nylon
Weight / Size	Rating Voltage 24V 110V 220V 380V/440V 380V/440V Protection class IP56 Adopted Standard DIN89250 Code 1133/2/FS Type HS202-1 HS202-2 HS202-3 HS202-4 HS202-5 Weight 0.23KG 0.23KG 0.23KG 0.23KG 0.23KG Code 1133/3/FS Type HS302-1 HS302-2 HS302-3 HS302-4 HS302-5 Weight 0.24KG 0.24KG 0.24KG 0.24KG Code 1133/2D/FS Type HS402-1 HS402-2 HS402-3 HS402-4 HS402-5 Weight 0.25KG 0.25KG 0.25KG 0.25KG 0.25KG	Certificate	ABS, LR, BV, DNVGL, NK, KR, IRS, RMRS, CCS
Warranty	12 Months unless specified otherwise	Origin	China



China Marine nylon switch1133/3/FS:



Rating Voltage	24V	110V	220V	380V/440V	380V/440V
Protection class	IP56				
Adopted Standard	DIN89250				

Code 1133/2/FS

Type	HS202-1	HS202-2	HS202-3	HS202-4	HS202-5
Weight	0.23KG	0.23KG	0.23KG	0.23KG	0.23KG

Code 1133/3/FS

Type	HS302-1	HS302-2	HS302-3	HS302-4	HS302-5
Weight	0.24KG	0.24KG	0.24KG	0.24KG	0.24KG

Code 1133/2D/FS

Type	HS402-1	HS402-2	HS402-3	HS402-4	HS402-5
Weight	0.25KG	0.25KG	0.25KG	0.25KG	0.25KG