

## ELECTRICAL CONNECTORS

## Marine watertight junction box and switch(1N-PB,1N-PC,2N-PB)

Type 1N-PB International code &amp;nbsp; Voltage ...

ISO9001 Supplier

Class Certificate

Export Supply



### Key Highlights

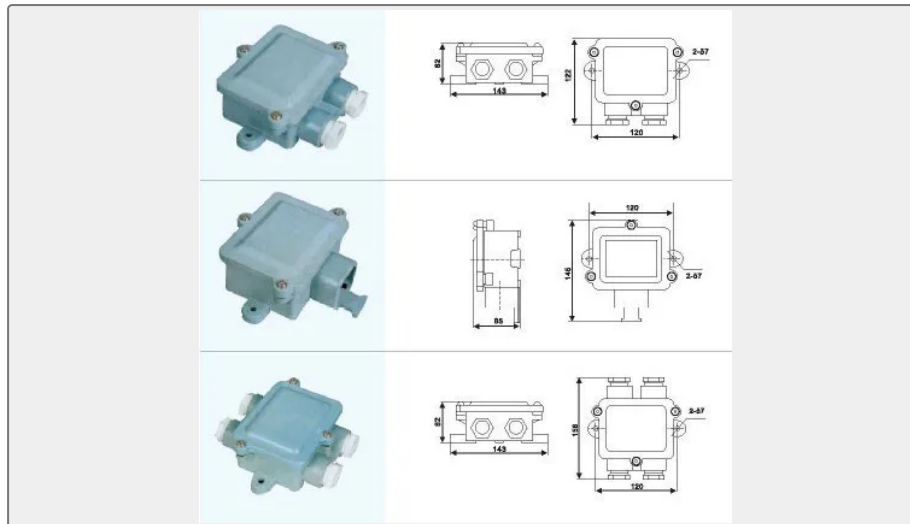
Category	Electrical Connectors
Standard	EN
Material	Synthetic resin
Certificate	ABS, LR, BV, DNVGL, NK, KR, IRS, RMRS, CCS

We can supply according to your requirement, drawings, class certificate needs, and delivery schedule.

### Technical Specifications

Category	Electrical Connectors	Model / SKU	Marine-watertight-junction-box-and-switch-1N-PB-1N-PC-2N-PB
Standard	EN	Material	Synthetic resin
Certificate	ABS, LR, BV, DNVGL, NK, KR, IRS, RMRS, CCS	Warranty	12 Months unless specified otherwise
Origin	China		

## China Marine watertight junction box and switch(1N-PB,1N-PC,2N-PB):



Type	1N-PB
International code	
Voltage	500V
Current	20A

Type	1N-PC
International code	
Voltage	500V
Current	20A

Type	2N-PB
International code	
Voltage	500V
Current	20A