

ELECTRICAL CONNECTORS

Marine watertight junction box and switch(K-2MR,J-1M,J-2M)

Type K-2MR International code 793017 Voltage ...

ISO9001 Supplier

Class Certificate

Export Supply



Key Highlights

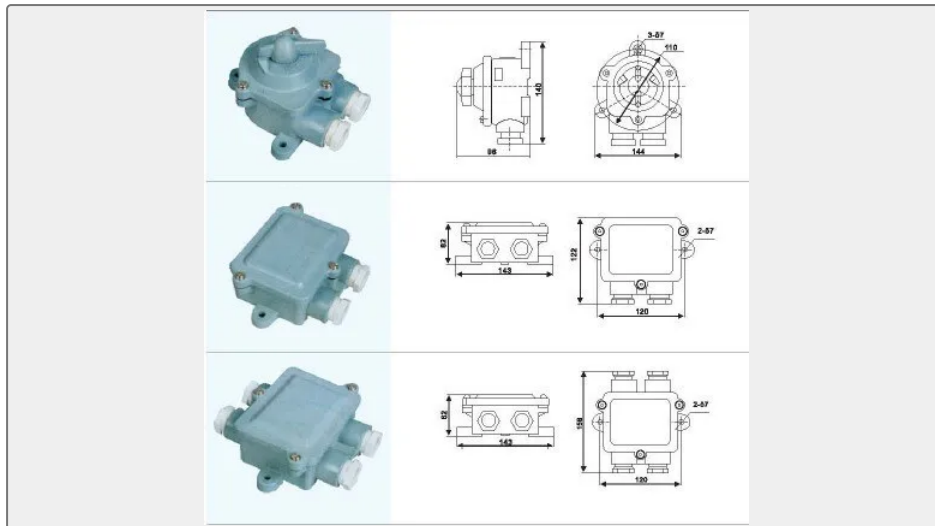
Category	Electrical Connectors
Standard	EN
Material	Synthetic resin
Certificate	ABS, LR, BV, DNVGL, NK, KR, IRS, RMRS, CCS

We can supply according to your requirement, drawings, class certificate needs, and delivery schedule.

Technical Specifications

Category	Electrical Connectors	Model / SKU	Marine-watertight-junction-box-and-switch-K-2MR-J-1M-J-2M
Standard	EN	Material	Synthetic resin
Certificate	ABS, LR, BV, DNVGL, NK, KR, IRS, RMRS, CCS	Warranty	12 Months unless specified otherwise
Origin	China		

China Marine watertight junction box and switch(K-2MR,J-1M,J-2M):



Type	K-2MR
International code	793017
Voltage	250V
Current	10A

Type	J-1M
International code	794831
Voltage	250V
Current	20A

Type	J-2M
International code	794833
Voltage	250V
Current	20A