

# Jinbo Marine

Marine & Offshore Equipment Datasheet

PRODUCT DATASHEET

## HANGER AND ELASTIC SUPPORT

# Metal Elastic Support

The metal elastic support(CB\*3321-88) is a new style vibration isolator which adopts stainless steel wire as elastomer, it is mainly suitable for ship diesel pipe system and base deck of main engine and auxiliary engi...

ISO9001 Supplier

Class Certificate

Export Supply



### Key Highlights

<b>Category</b>	Hanger And Elastic Support
<b>Standard</b>	ISO
<b>Material</b>	The metal elastic support(CB*3321-88) is a new style vibration isolator ...
<b>Weight / Size</b>	Dimension Metal Elastic Support Main Specifications Model A B D1 D2 d1 d...
<b>Certificate</b>	ABS, LR, BV, DNVGL, NK, KR, IRS, RMRS, CCS

We can supply according to your requirement, drawings, class certificate needs, and delivery schedule.



Technical Specifications			
<b>Category</b>	Hanger And Elastic Support	<b>Model / SKU</b>	Metal-Elastic-Support
<b>Standard</b>	ISO	<b>Material</b>	The metal elastic support(CB*3321-88) is a new style vibration isolator which adopts stainless steel wire as elastomer, it is mainly suitable for ship diesel pipe system and base deck of main engine and auxiliary engine.
<b>Weight / Size</b>	Dimension Metal Elastic Support Main Specifications Model A B D1 D2 d1 d2 d3 h1 h2 h3 h4 Weight(kg) A10 70 98 69 60 M16 12.5 8 53 17 10 0.9 B12 100 130 82 90 M16 12.5 10 71 31 13 1.9 B14 170 220 170 188 M27 17 12 97 55 16 10.0 C12 100 130 82 90 M16 12.5 10 100 54 13 2.2 C14 170 220 170 188 M27 17 12 125 80 16 13.0 D21 100 130 82 90 M16 12.5 10 73 90 13 13 2.2 D41 170 220 170 188 M27 17 12 97 112 16 13 13.0	<b>Certificate</b>	ABS, LR, BV, DNVGL, NK, KR, IRS, RMRS, CCS
<b>Warranty</b>	12 Months unless specified otherwise	<b>Origin</b>	China

**CONTENTS**

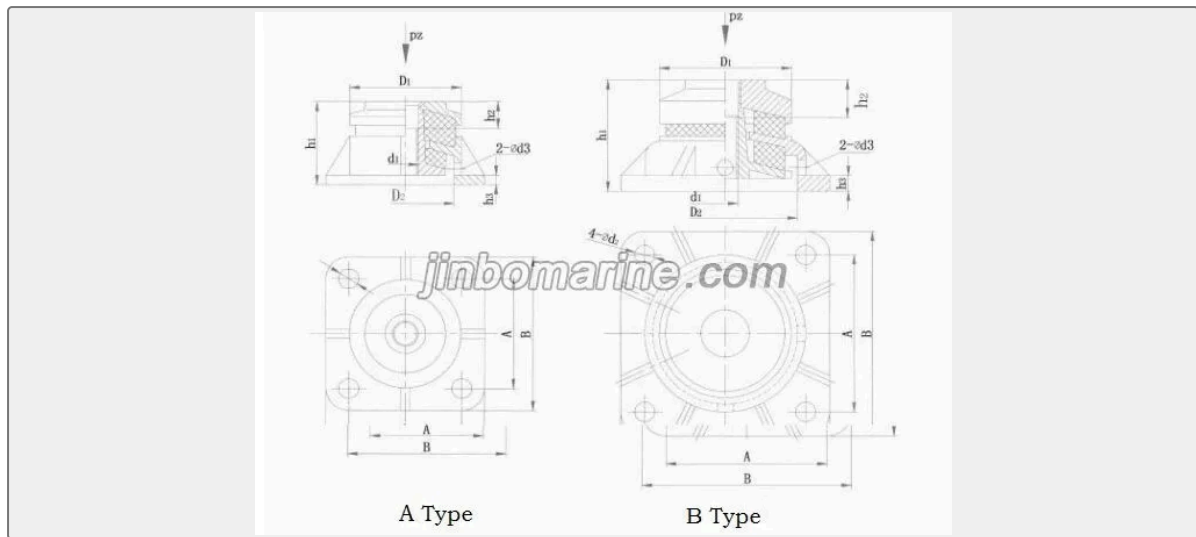
- China Metal Elastic Support:
- Dimension
- Metal Elastic Support Main Specifications

## China Metal Elastic Support:

The metal elastic support(CB\*3321-88) is a new style vibration isolator which adopts stainless steel wire as elastomer, it is mainly suitable for ship diesel pipe system and base deck of main engine and auxiliary engine. And it also widely applicable in industry pipeline, power machinery, military and civil vehicle equipment, nuclear industry device and vehicle electroplate etc.

It is specially used for vibration insulation of varying duty and random vibration. When used for pipeline, it needs to cooperate with elastic hangers in generally.

## Dimension



## Metal Elastic Support Main Specifications

Model	A	B	D1	D2	d1	d2	d3	h1	h2	h3	h4	Weight(kg)
A10	70	98	69	60	M16	12.5	8	53	17	10	0.9	
B12	100	130	82	90	M16	12.5	10	71	31	13	1.9	
B14	170	220	170	188	M27	17	12	97	55	16	10.0	
C12	100	130	82	90	M16	12.5	10	100	54	13	2.2	
C14	170	220	170	188	M27	17	12	125	80	16	13.0	
D21	100	130	82	90	M16	12.5	10	73	90	13	13	2.2
D41	170	220	170	188	M27	17	12	97	112	16	13	13.0