

# Jinbo Marine

Marine & Offshore Equipment Datasheet

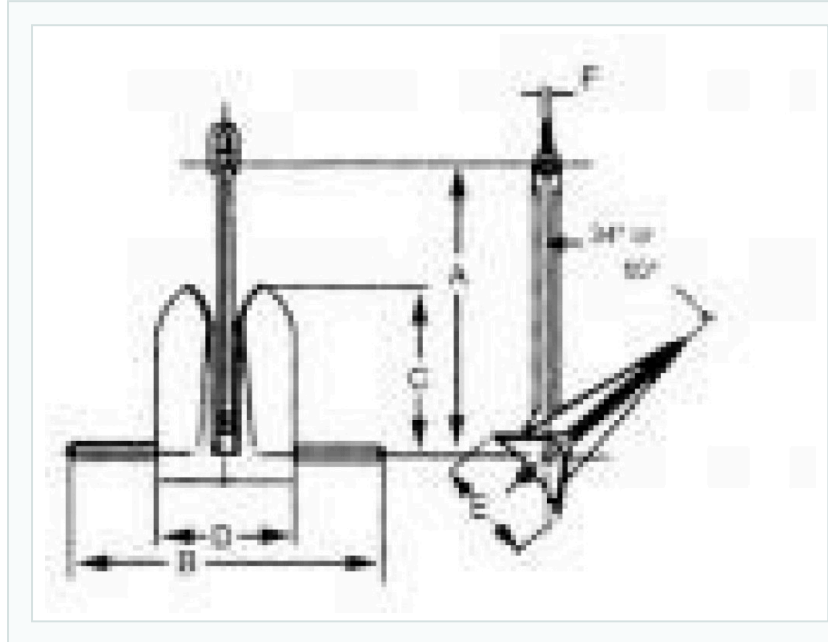
PRODUCT DATASHEET

HIGH HOLDING POWER ANCHOR

## Moorfast Anchor

Anchor Weight A B C D E F Proof Test 1000 61 ...

- ISO9001 Supplier
- Class Certificate
- Export Supply



### Key Highlights

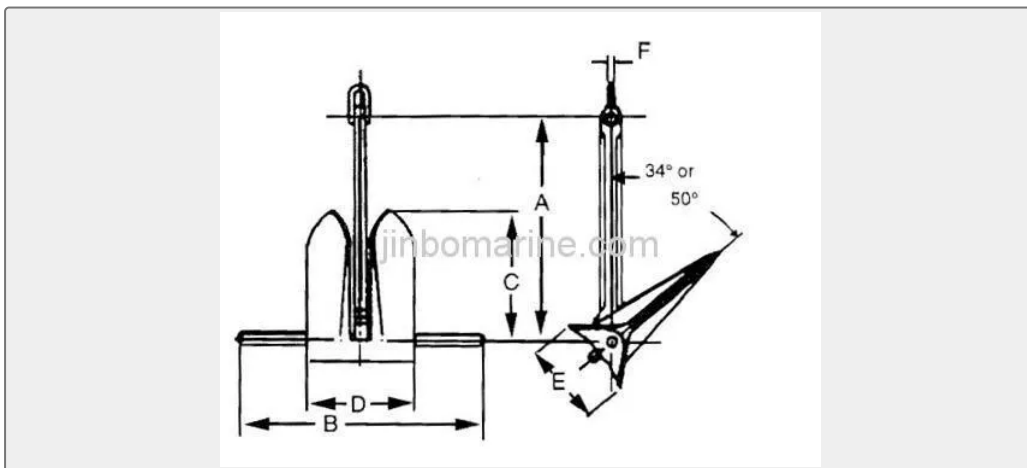
Category	High Holding Power Anchor
Material	Casting Steel
Weight / Size	Anchor Weight A B C D E F Proof Test 1000 61 75 37 25 19 2 30000 3000 88...
Certificate	ABS, LR, BV, DNVGL, NK, KR, IRS, RMRS, CCS

We can supply according to your requirement, drawings, class certificate needs, and delivery schedule.



Technical Specifications			
<b>Category</b>	High Holding Power Anchor	<b>Model / SKU</b>	Moorfast-Anchor
<b>Material</b>	Casting Steel	<b>Weight / Size</b>	Anchor Weight A B C D E F Proof Test 1000 61 75 37 25 19 2 30000 3000 88 109 54 37 27 3 72500 6000 101 143 61 42 31 3 1/2 121300 8000 122 153 75 51 38 3 1/2 145000 1000 131 157 80 55 41 4 165600 12000 139 167 85 58 43 4 184700 14000 147 177 90 61 45 4 205000 16000 153 187 94 64 48 4 1/2 222700 20000 164 196 102 69 51 4 1/2 249400 30000 189 217 118 79 59 5 319400 40000 215 248 127 86 63 5 1/2 86000 50000 222 257 132 89 66 6 448300 60000 232 271 140 95 70 6 506200 70000 244 274 147 100 73 6 561400 80000 255 298 154 105 77 6 1/2 613300 90000 266 310 160 109 80 6 1/2 661200 100000 275 320 166 113 83 7 706400
<b>Certificate</b>	ABS, LR, BV, DNVGL, NK, KR, IRS, RMRS, CCS	<b>Warranty</b>	12 Months unless specified otherwise
<b>Origin</b>	China		

**China Moorfast Anchor:**



Anchor Weight	A	B	C	D	E	F	Proof Test
1000	61	75	37	25	19	2	30000
3000	88	109	54	37	27	3	72500



6000	101	143	61	42	31	3 1/2	121300
8000	122	153	75	51	38	3 1/2	145000
1000	131	157	80	55	41	4	165600
12000	139	167	85	58	43	4	184700
14000	147	177	90	61	45	4	205000
16000	153	187	94	64	48	4 1/2	222700
20000	164	196	102	69	51	4 1/2	249400
30000	189	217	118	79	59	5	319400
40000	215	248	127	86	63	5 1/2	86000
50000	222	257	132	89	66	6	448300
60000	232	271	140	95	70	6	506200
70000	244	274	147	100	73	6	561400
80000	255	298	154	105	77	6 1/2	613300
90000	266	310	160	109	80	6 1/2	661200
100000	275	320	166	113	83	7	706400