

Jinbo Marine

Marine & Offshore Equipment Datasheet

PRODUCT DATASHEET

SPRING TOWING HOOK

Multifunctional Pier Marine Towing Hook

ISO9001 Supplier

Class Certificate

Export Supply

Brief description: The towing hook enable the ships can be towed in safety under emergency situations. It is easy to handle, and can be release quickly. TYPE S...



Key Highlights

Category	Spring Towing Hook
Standard	EN
Certificate	Certificate: CCS, BV, etc

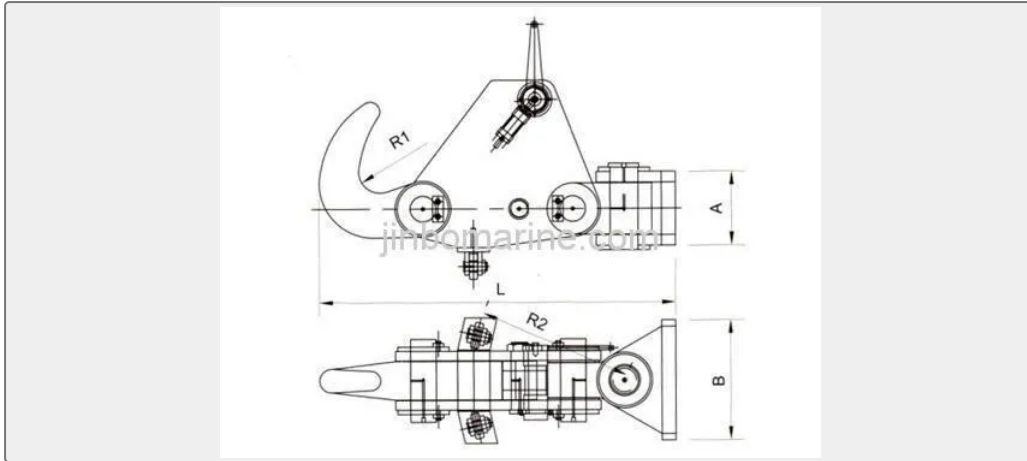
We can supply according to your requirement, drawings, class certificate needs, and delivery schedule.

Technical Specifications

Category	Spring Towing Hook	Model / SKU	Multifunctional-Pier-Marine-Towing-Hook
Standard	EN	Certificate	Certificate: CCS, BV, etc
Warranty	12 Months unless specified otherwise	Origin	China



China Multifunctional Pier Marine Towing Hook:



Brief description:

The towing hook enable the ships can be towed in safety under emergency situations.

It is easy to handle, and can be release quickly.

TYPE	SWL (t)	A (mm)	B (mm)	L (mm)	R1 (mm)	R2 (mm)
ETH-30	30	210	340	1050	65	430
ETH-40	40	220	345	1100	65	450
ETH-50	50	276	448	1332	80	577
ETH-60	60	295	475	1415	85	613
ETH-80	80	350	560	1680	100	721
ETH-100	100	450	630	2100	125	921