

# Jinbo Marine

Marine & Offshore Equipment Datasheet

PRODUCT DATASHEET

## CB MARINE AIR PIPE HEAD

# Mushroom Air Pipe Head CB/T3594-94 Type A/AS

ISO9001 Supplier

Class Certificate

Export Supply

Marine Air Pipe Head or can be called as marine air vent head, air pipe joint. It is used on the air pipe system of oil or water tank in the vessels and the offshore drilling platform. There are the types A/AS,B/BS,C/CS,...



### Key Highlights

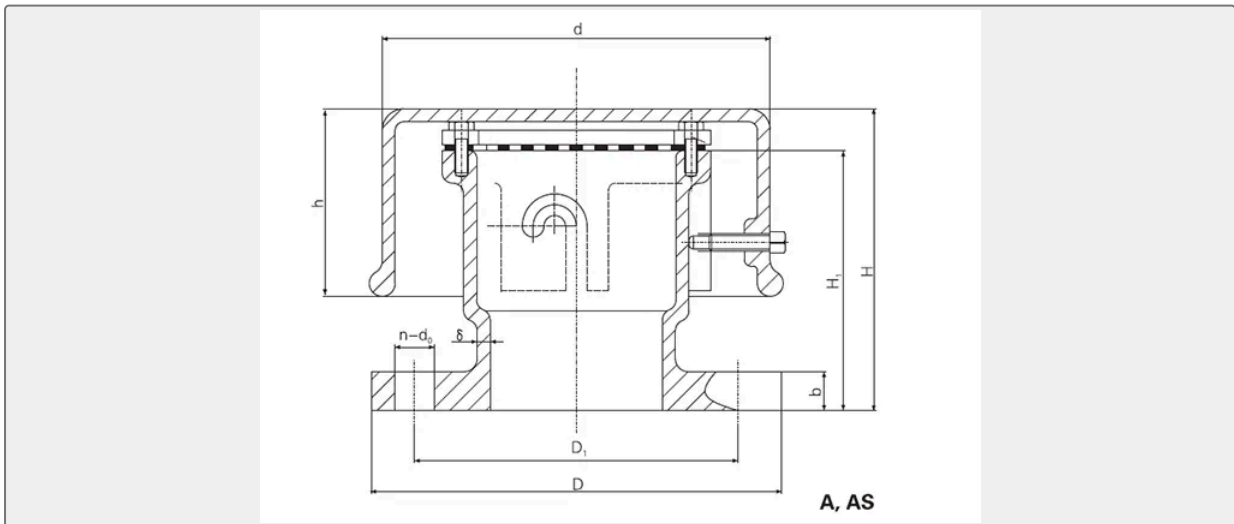
Category	CB Marine Air Pipe Head
Standard	DIN
Material	Cast Iron
Weight / Size	CB/T3594-94, GB1858-80, CBM1105-81, CBM1106-81 Flange Size as per GB569 ...
Certificate	CCS, BV, ABS, GL, LR, DNV, NK,RINA, KR,IRS

We can supply according to your requirement, drawings, class certificate needs, and delivery schedule.

Technical Specifications			
<b>Category</b>	CB Marine Air Pipe Head	<b>Model / SKU</b>	Mushroom-Air-Pipe-Head-CB-T3594-94-Type-A-AS
<b>Standard</b>	DIN	<b>Material</b>	Cast Iron
<b>Weight / Size</b>	CB/T3594-94, GB1858-80, CBM1105-81, CBM1106-81 Flange Size as per GB569 or GB2501 Type Name Size Application A/AS Mushroom Air Pipe Head 50--250 on the top of air pipe of oil &water tank B/BS Gooseneck Air Pipe Head C/CS Sounding & Ventilation Air Pipe Head 50--100 D/DS Float Disc Type Air Pipe Head for Oil Tank 50-450 on the top of air pipe of oil tank E/ES Float Disc Type Air Pipe Head for Water Tank on the top of air pipe of water tank FS Float Ball Type Air Pipe Head for oil &water Tank on the top of air pipe of oil &water tank Main Material:	<b>Certificate</b>	CCS, BV, ABS, GL, LR, DNV, NK,RINA, KR,IRS
<b>Warranty</b>	12 Months unless specified otherwise	<b>Origin</b>	China

<b>CONTENTS</b>	<ul style="list-style-type: none"> <li>■ China Mushroom Air Pipe Head CB/T3594-94 Type A/AS:</li> <li>■ Main Size List for Type A/AS(mm):</li> </ul>	<ul style="list-style-type: none"> <li>■ Main Material:</li> </ul>
-----------------	--	--

## China Mushroom Air Pipe Head CB/T3594-94 Type A/AS:



Marine Air Pipe Head or can be called as marine air vent head, air pipe joint. It is used on the air pipe system of oil or water tank in the vessels and the offshore drilling platform. There are the types A/AS,B/BS,C/CS,D/DS,E/ES,FS.

Standard: CB/T3594-94, GB1858-80, CBM1105-81, CBM1106-81

Flange Size as per GB569 or GB2501

Type	Name	Size	Application
A/AS	Mushroom Air Pipe Head	50--250	on the top of air pipe of oil &water tank
B/BS	Gooseneck Air Pipe Head		
C/CS	Sounding & Ventilation Air Pipe Head	50--100	
D/DS	Float Disc Type Air Pipe Head for Oil Tank	50-450	on the top of air pipe of oil tank
E/ES	Float Disc Type Air Pipe Head for Water Tank		on the top of air pipe of water tank
FS	Float Ball Type Air Pipe Head for oil &water Tank		on the top of air pipe of oil &water tank

## Main Material:

1-Cover: Cast Iron

2-Screw: Carbon Steel

3-Body: Cast Iron

4-Filter Screen: Brass

## Main Size List for Type A/AS(mm):

D N	Structure Dimension		Thick ness	Cover		Flange Size										Weight (kgs)	
						D		D1		b		n		d0		Cast Iron	
	H	H1	δ	d	h	Type e A	Type AS	Type e A	Type AS	Type e A	Type AS	Type e A	Type AS	Type e A	Type AS	Type e A	Type AS
50	110	85	6	76	128	135	140	103	110	15	16	6	4	15	14	4.08	4.17
65	120	90		80	150	155	160	123	130	14	16	6	4	15	14	5.63	5.73
80	140	100		90	180	170	190	138	150	14	18	8	4	15	18	7.24	7.27
100	160	120	7	105	200	190	210	158	170	14	18	8	4	15	18	11.91	12.5
150	175	130	8	120	250	240	265	208	225	14	20	12	8	15	18	20.4	22.4
200	190	150	6	130	300	295	320	264	280	15	22	12	8	15	18	26.44	26.93
250	220	180	8	140	350	365	375	327	335	16	24	14	12	17	18	31.71	36