

# Jinbo Marine

Marine & Offshore Equipment Datasheet

PRODUCT DATASHEET

## WARPING ROLLER

# NS2585 Type Marine Warping Roller

NS2585 Type Marine warping roller allso known as GB 10105-88 warping roller.Fairlead roller is immediately ready for any vessel installation. Cast from the finest quality steel for added durability. Compact desig...

ISO9001 Supplier

Class Certificate

Export Supply



### Key Highlights

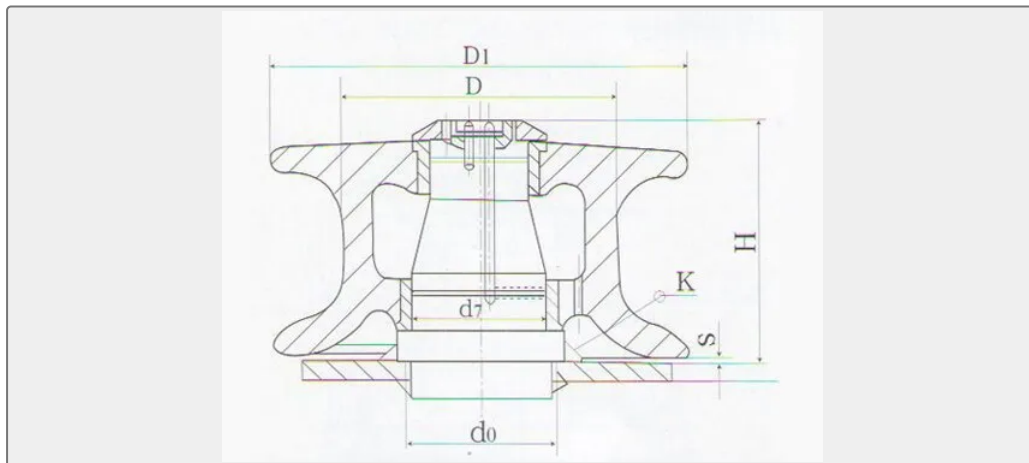
Category	Warping Roller
Standard	GB
Material	cast iron,cast steel
Weight / Size	Nominal Steel rope GB1102 Breaking Load 1550Mpa D1 d0 d7 H s t K Weight ...
Certificate	ABS , BV, CCS, mill certificate etc.

We can supply according to your requirement, drawings, class certificate needs, and delivery schedule.



Technical Specifications			
Category	Warping Roller	Model / SKU	NS2585-Type-Marine-Warping-Roller
Standard	GB	Material	cast iron,cast steel
Weight / Size	Nominal Steel rope GB1102 Breaking Load 1550Mpa D1 d0 d7 H s t K Weight Size(mm) 6*24 6*37 (KG) N2R-001 150 17 15 240 90 79 154 5 12 9 24.8 N2R-002 200 22.5 19.5 310 115 99 186 5 14 10 49.3 N2R-003 250 24 24 380 135 119 230 6 14 10 92 N2R- 004 300 30 28 440 155 129 255 7 16 12 127 N2R-005 350 37.5 34.5 500 175 149 271 7 18 13 168 N2R-006 400 41 39 560 185 159 307 7 20 14 252.5 N2R-007 450 44.5 43 630 210 179 316 7 20 14 310	Surface	Compact design,precision machined smooth surface,easily removable shafts, Good wear and corrosion resistance Material:cast iron and cast steel Certificate:
Certificate	ABS , BV, CCS, mill certificate etc.	Warranty	12 Months unless specified otherwise
Origin	China		

## China NS2585 Type Marine Warping Roller:



NS2585 Type Marine warping roller also known as GB 10105-88 warping roller. Fairlead roller is immediately ready for any vessel installation. Cast from the finest quality steel for added durability.

Compact design, precision machined smooth surface, easily removable shafts,

Good wear and corrosion resistance

Material: cast iron and cast steel

Certificate: ABS, BV, DNV, CCS, mill certificate.



Factory machining facilities :CNC center, CNC lathes, ultrasonic wave cleaning etc

NS2585 marine roller for fairlead											
Product No.	Nominal	Steel rope GB1102 Breaking Load 1550Mpa		D1	d0	d7	H	s	t	K	Weight
	Size(mm)	6*24	6*37								(KG)
N2R-001	150	17	15	240	90	79	15 4	5	1 2	9	24.8
N2R-002	200	22.5	19.5	310	11 5	99	18 6	5	1 4	1 0	49.3
N2R-003	250	24	24	380	13 5	11 9	23 0	6	1 4	1 0	92
N2R-004	300	30	28	440	15 5	12 9	25 5	7	1 6	1 2	127
N2R-005	350	37.5	34.5	500	17 5	14 9	27 1	7	1 8	1 3	168
N2R-006	400	41	39	560	18 5	15 9	30 7	7	2 0	1 4	252.5
N2R-007	450	44.5	43	630	21 0	17 9	31 6	7	2 0	1 4	310