

Jinbo Marine

Marine & Offshore Equipment Datasheet

PRODUCT DATASHEET

MARINE TOOLS

Non-Sparking Hydraulic Pallet Truck

These Non-Sparking Hydraulic Pallet Truck are made of Aluminum Bronze and Beryllium Copper, it is a high quality grade beryllium copper alloy material and a standard grade aluminum-bronze alloy. These to...

ISO9001 Supplier

Class Certificate

Export Supply



Key Highlights

Category	Marine Tools
Standard	These Non-Sparking Hydraulic Pallet Truck are made of Aluminum Bronze an...
Material	Aluminum Bronze, Beryllium Copper
Weight / Size	Load (kg) L mm H mm B1 mm B2 mm Weight (kg) Aluminum Bronze Beryllium Co...
Certificate	EACC, IAF

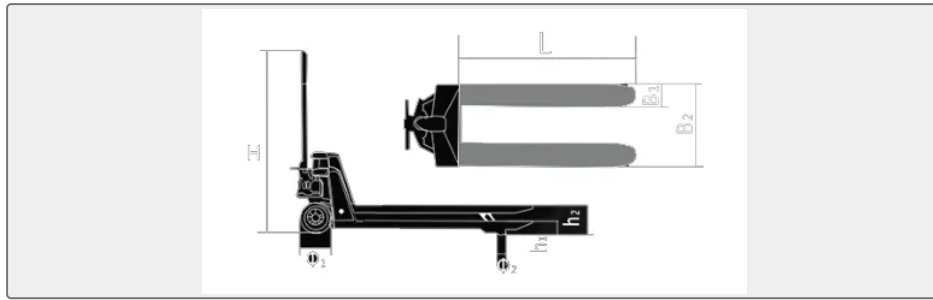
We can supply according to your requirement, drawings, class certificate needs, and delivery schedule.

Technical Specifications

Category	Marine Tools	Model / SKU	Non-Sparking-Hydraulic-Pallet-Truck
Standard	These Non-Sparking Hydraulic Pallet Truck are made of Aluminum Bronze and Beryllium Copper, it is a high quality grade beryllium copper alloy material and a standard grade aluminum-bronze alloy.	Material	Aluminum Bronze, Beryllium Copper
Weight / Size	Load (kg) L mm H mm B1 mm B2 mm Weight (kg) Aluminum Bronze Beryllium Copper 2000 1190 1240 160 545 132 h1 mm h2 mm Φ1 inch Φ2 inch 90 190 7 3 132	Certificate	EACC, IAF
Warranty	12 Months unless specified otherwise	Origin	China

China Non-Sparking Hydraulic Pallet Truck:

These Non-Sparking Hydraulic Pallet Truck are made of Aluminum Bronze and Beryllium Copper, it is a high quality grade beryllium copper alloy material and a standard grade aluminum-bronze alloy. These tools are non-magnetic and non-corrosion, very suitable used for LPG and LNG vessels, and oil-gas industry etc.



Load (kg)	L mm	H mm	B1 mm	B2 mm	Weight (kg)	
					Aluminum Bronze	Beryllium Copper
2000	1190	1240	160	545	132	
h1 mm	h2 mm	Φ1 inch	Φ2 inch			
90	190	7	3	132		