

Jinbo Marine

Marine & Offshore Equipment Datasheet

PRODUCT DATASHEET

OFFSHORE ANCHOR

Offshore Danforth Anchor

Danforth High Holding Power(HHP) Anchor is from 60KGS to 25000KGS, the flukes are wide and long, dig deeply into the seabed, good stability and big holding-power-to-weight ratio, the Fluke/Shank angle

ISO9001 Supplier

Class Certificate

Export Supply



Key Highlights

| | |
|---------------|--------------------------------------------------|
| Category | Offshore Anchor |
| Standard | DIN |
| Material | Casting Steel |
| Weight / Size | from 60KGS to 25000KGS |
| Certificate | ABS, LR, BV, DNV, GL, RINA, NK, KR, RS, IRS, CCS |

We can supply according to your requirement, drawings, class certificate needs, and delivery schedule.

Technical Specifications

| | | | |
|---------------|--------------------------------------|-------------|--------------------------------------------------|
| Category | Offshore Anchor | Model / SKU | Offshore-Danforth-Anchor |
| Standard | DIN | Material | Casting Steel |
| Weight / Size | from 60KGS to 25000KGS | Certificate | ABS, LR, BV, DNV, GL, RINA, NK, KR, RS, IRS, CCS |
| Warranty | 12 Months unless specified otherwise | Origin | China |

CONTENTS

- China Offshore Danforth Anchor:
- Danforth Anchor Specification:
- Anchor Danforth Photo

China Offshore Danforth Anchor:

Danforth High Holding Power(HHP) Anchor is from 60KGS to 25000KGS, the flukes are wide and long, dig deeply into the seabed, good stability and big holding-power-to-weight ratio, the Fluke/Shank angle is about 30 degrees.

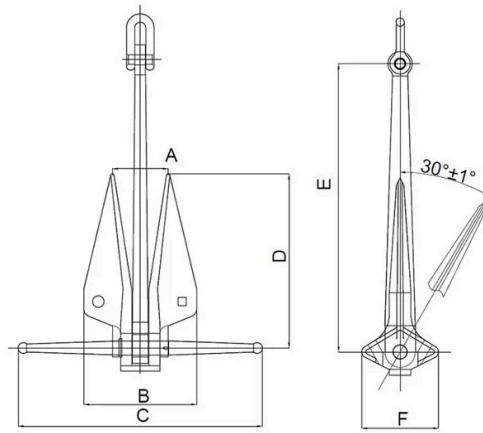


Danforth Anchor Specification:

Material: Casting Steel

Weight: 60KGS-2500KGS

Classification: LR, ABS, DNV, GL, BV, NK, KR, IRS and CCS Certificate.



| Weight/Mass (KG) | Size(mm) | | | | | |
|------------------|----------|------|------|------|------|-----|
| | A | B | C | D | E | F |
| 60KGS | 186 | 408 | 755 | 535 | 985 | 240 |
| 75KGS | 200 | 450 | 930 | 590 | 1080 | 260 |
| 100KGS | 216 | 490 | 930 | 640 | 1180 | 290 |
| 120KGS | 220 | 505 | 970 | 670 | 1230 | 300 |
| 125KGS | 234 | 520 | 1000 | 690 | 1270 | 310 |
| 150KGS | 242 | 550 | 1060 | 732 | 1348 | 330 |
| 200KGS | 266 | 600 | 1150 | 810 | 1490 | 360 |
| 250KGS | 294 | 650 | 1240 | 870 | 1600 | 390 |
| 276KGS | 296 | 660 | 1250 | 885 | 1620 | 400 |
| 300KGS | 312 | 690 | 1320 | 925 | 1700 | 420 |
| 400KGS | 342 | 750 | 1460 | 1010 | 1810 | 460 |
| 500KGS | 368 | 800 | 1570 | 1100 | 2020 | 490 |
| 750KGS | 414 | 910 | 1800 | 1260 | 2300 | 560 |
| 1000KGS | 450 | 980 | 1980 | 1380 | 2540 | 620 |
| 1250KGS | 484 | 1070 | 2100 | 1490 | 2740 | 670 |
| 1500KGS | 512 | 1120 | 2220 | 1580 | 2850 | 700 |
| 2000KGS | 560 | 1130 | 2440 | 1730 | 2910 | 770 |
| 2500KGS | 605 | 1217 | 2628 | 1864 | 3070 | 830 |

| | | | | | | |
|----------|------|------|------|------|------|------|
| 3000KGS | 640 | 1290 | 2790 | 1980 | 3330 | 880 |
| 4000KGS | 700 | 1420 | 3070 | 2170 | 3590 | 970 |
| 5000KGS | 735 | 1482 | 3200 | 2270 | 3840 | 1020 |
| 6000KGS | 800 | 1620 | 3500 | 2480 | 4100 | 1100 |
| 7000KGS | 840 | 1696 | 3850 | 2590 | 4180 | 1150 |
| 8500KGS | 910 | 1936 | 3940 | 2600 | 4490 | 1240 |
| 10000KGS | 940 | 2000 | 4150 | 2900 | 4640 | 1280 |
| 13600KGS | 1046 | 2120 | 4590 | 3250 | 5378 | 1140 |
| 16000KGS | 1105 | 2240 | 4845 | 3435 | 5680 | 1520 |
| 18000KGS | 1150 | 2270 | 5000 | 3570 | 5680 | 1580 |
| 20000KGS | 1190 | 2350 | 5175 | 3695 | 5680 | 1635 |
| 25000KGS | 1280 | 2530 | 5570 | 3982 | 6330 | 1760 |

Anchor Danforth Photo



13160kgs Danforth Anchor