

OTHER MARINE VALVES & ACCESSORIES

Oil Tanker Deck Control Device CB693-75

ISO9001 Supplier

Class Certificate

Export Supply

Oil Tanker Deck Control Device also can be called as Deck Stand Valve. It is used to control the oil tanker gate valve DN150-DN350. It is used together with universal joint or end connector, intermediate transmission tub...



Key Highlights

Category	Other Marine Valves & Accessories
Standard	CB
Material	Carbon Steel, Nodular Iron
Weight / Size	Packing Seat---Bronze 9.Seat Plate---Carbon Steel 10.Thrust Ring---Bronz...
Certificate	Mill certificate

We can supply according to your requirement, drawings, class certificate needs, and delivery schedule.

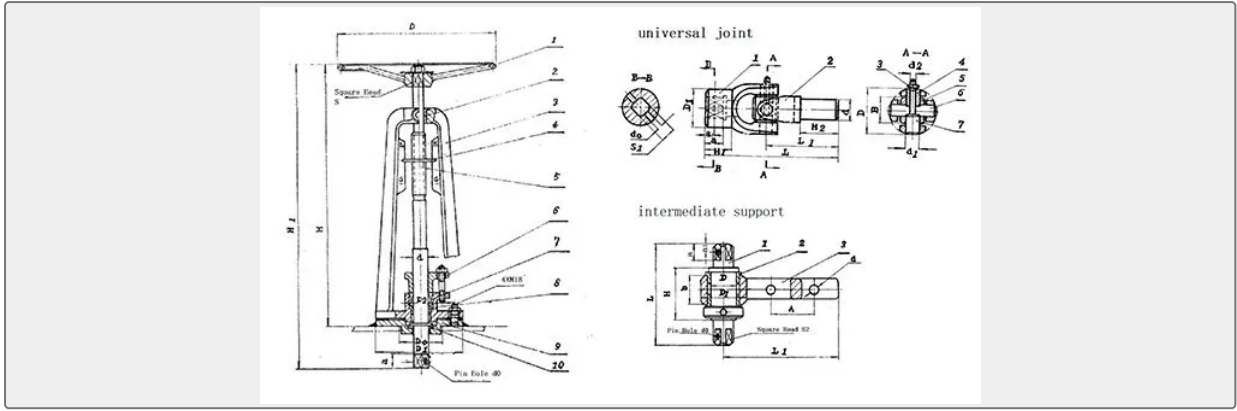
Technical Specifications

Category	Other Marine Valves & Accessories	Model / SKU	Oil-Tanker-Deck-Control-Device-CB693-75
Standard	CB	Material	Carbon Steel, Nodular Iron
Weight / Size	Packing Seat---Bronze 9.Seat Plate---Carbon Steel 10.Thrust Ring---Bronze Main Size List(mm):	Certificate	Mill certificate
Warranty	12 Months unless specified otherwise	Origin	China

CONTENTS

- China Oil Tanker Deck Control Device CB693-75:
- Main Parts & Material:
- Main Size List(mm):
- Deck Stand Size:
- Intermediate Support Size:

China Oil Tanker Deck Control Device CB693-75:



Oil Tanker Deck Control Device also can be called as Deck Stand Valve. It is used to control the oil tanker gate valve DN150-DN350. It is used together with universal joint or end connector, intermediate transmission tube, intermediate holder to control the open & close of gate valve.

Design Standard: CB693-75

Main Parts & Material:

- 1.Hand Wheel---Nodular Iron or Cast Steel
- 2.Bush---Bronze
- 3.Holder---Nodular Iron or Cast Steel
- 4.Indicator---Brass
- 5.Control Stem---Carbon Steel
- 6.Gland---Bronze
8. Packing Seat---Bronze
- 9.Seat Plate---Carbon Steel
- 10.Thrust Ring---Bronze

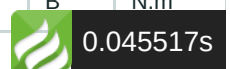
Main Size List(mm):

Deck Stand Size:

S0	Holder Size		Handwheel Size		Distance		Control Stem Size				Deck Opening Diameter	Allowed torque
	D1	D2	D	S	H	H1	d	a	d0	pitch	D0	Kg-Cm
24	240	200	360	22	750	860	34	30	8	3.5	125	2900
27	240	200	400	24	750	860	37	35	10	4	125	4700
32	240	200	450	27	750	860	40	35	10	4	126	4700

Universal Joint Size :

S0	d	L	L1	H1	H2	D	D1	a	a1	dn	d1	d2	B	N.m
----	---	---	----	----	----	---	----	---	----	----	----	----	---	-----



24	33	184	100	40	54	64	48	30	15	8	20	11	40	290
27	38.5	210	120	44	64	74	58	34	17	10	22	12	44	470
32	38.5	210	120	44	64	74	58	34	17	10	22	12	44	470

Intermediate Support Size:

S0	L	H	D	A	A1	D0	L1	D1	B	A	D
24	146	66	35	30	15	8	140	65	34	60	15
27	176	76	40	35	17	10	150	70	40	60	15
32	182	82	45	35	17	10	160	80	42	60	17