

# Jinbo Marine

Marine & Offshore Equipment Datasheet

PRODUCT DATASHEET

## TURNBUCKLES AND LASHING BARS

# Open Body Turnbuckle

1.All items are approved by major classification societies 2.customized design is available.

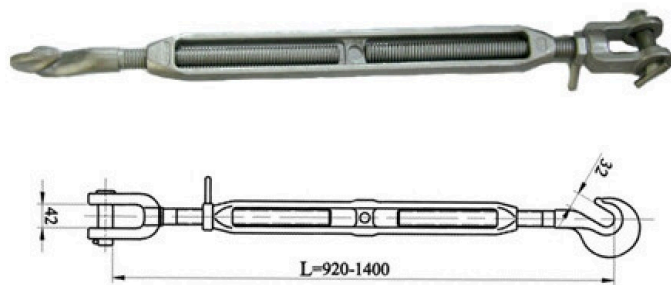
Material:forged steel Finish: hot dip galvanized Weight:13.6kg M.B.L tension:500KN

Certificati...

ISO9001 Supplier

Class Certificate

Export Supply



### Key Highlights

Category	Turnbuckles And Lashing Bars
Standard	ISO
Material	forged steel
Weight / Size	hot dip galvanized Weight:13.6kg M.B.L tension:500KN Certification:
Certificate	GL certificate

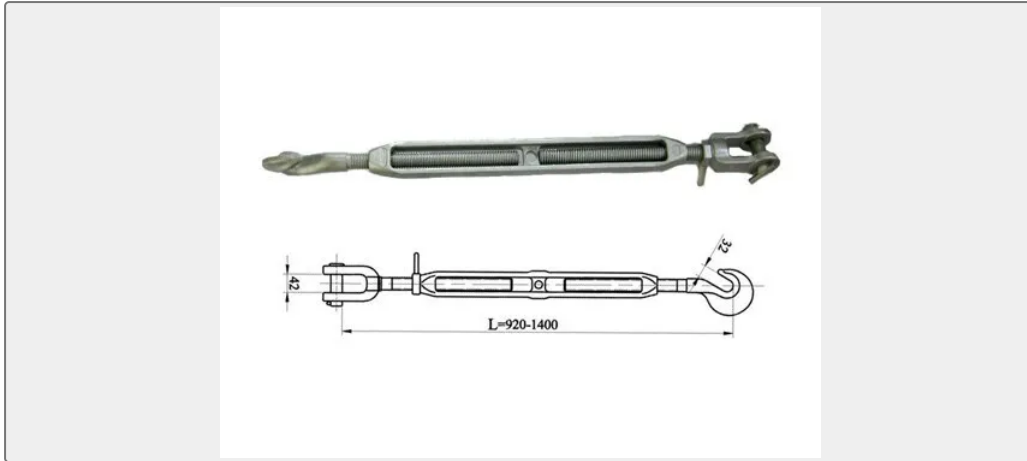
We can supply according to your requirement, drawings, class certificate needs, and delivery schedule.

### Technical Specifications

Category	Turnbuckles And Lashing Bars	Model / SKU	Open-Body-Turnbuckle
Standard	ISO	Material	forged steel
Weight / Size	hot dip galvanized Weight:13.6kg M.B.L tension:500KN Certification:	Surface	hot dip galvanized
Certificate	GL certificate	Warranty	12 Months unless specified otherwise
Origin	China		



## China Open Body Turnbuckle:



- 1.All items are approved by major classification societies
- 2.customized design is available.

Material:forged steel

Finish: hot dip galvanized

Weight:13.6kg

M.B.L tension:500KN

Certification: All items are approved by major classification societies

Remarks: customized design is available

Our scope of supply( cotainer fastners ) covers the follows:

D-ring, Lashing plate, Raised ISO foundations, Dovetail foundations, Flush sockets, Sliding foundations, Guide cone, Guide block, Turnbuckles, Lashing rods, Extension rods, Manual twistlocks, Semi-automatic twistlocks, Midlocks, Sliding twistlocks, Bridge fittings, Single stackers, Double stackers, Hanging stackers, ETC